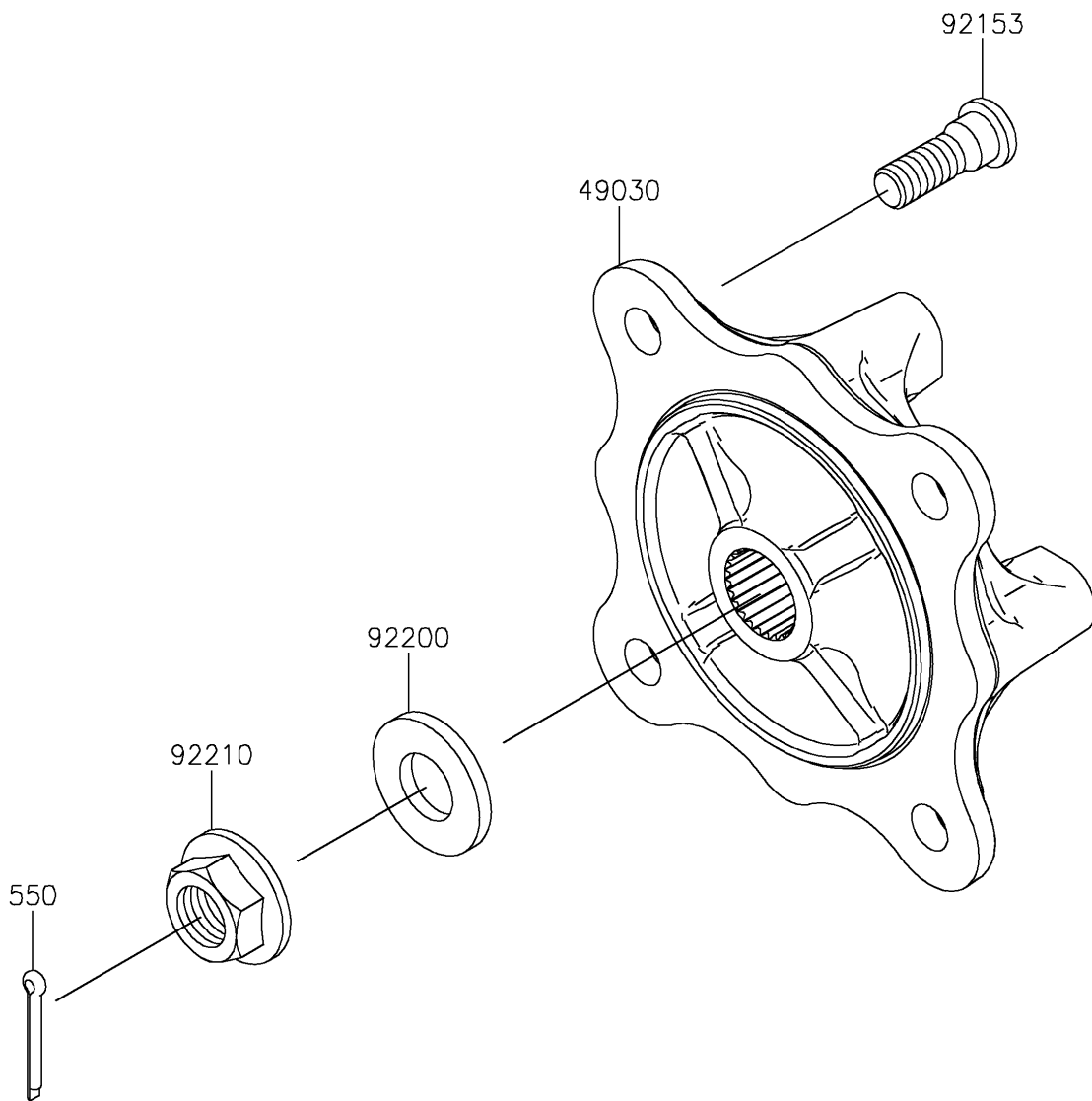


# 2022 MULE PRO-FXT™ RANCH EDITION PARTS DIAGRAM

Front Hubs/Brakes

F2230



## 2022 MULE PRO-FXT™ RANCH EDITION PARTS LIST

### Front Hubs/Brakes

| ITEM NAME                        | PART NUMBER | QUANTITY |
|----------------------------------|-------------|----------|
| HUB,FR (Ref # 49030)             | 49030-0048  | 2        |
| BOLT,12MM (Ref # 92153)          | 92153-1915  | 8        |
| WASHER,20.3X41X4.5 (Ref # 92200) | 92200-0921  | 2        |
| NUT,FLANGED,20MM (Ref # 92210)   | 92210-2093  | 2        |
| PIN-COTTER,4.0X30 (Ref # 550)    | 550AA4030   | 2        |