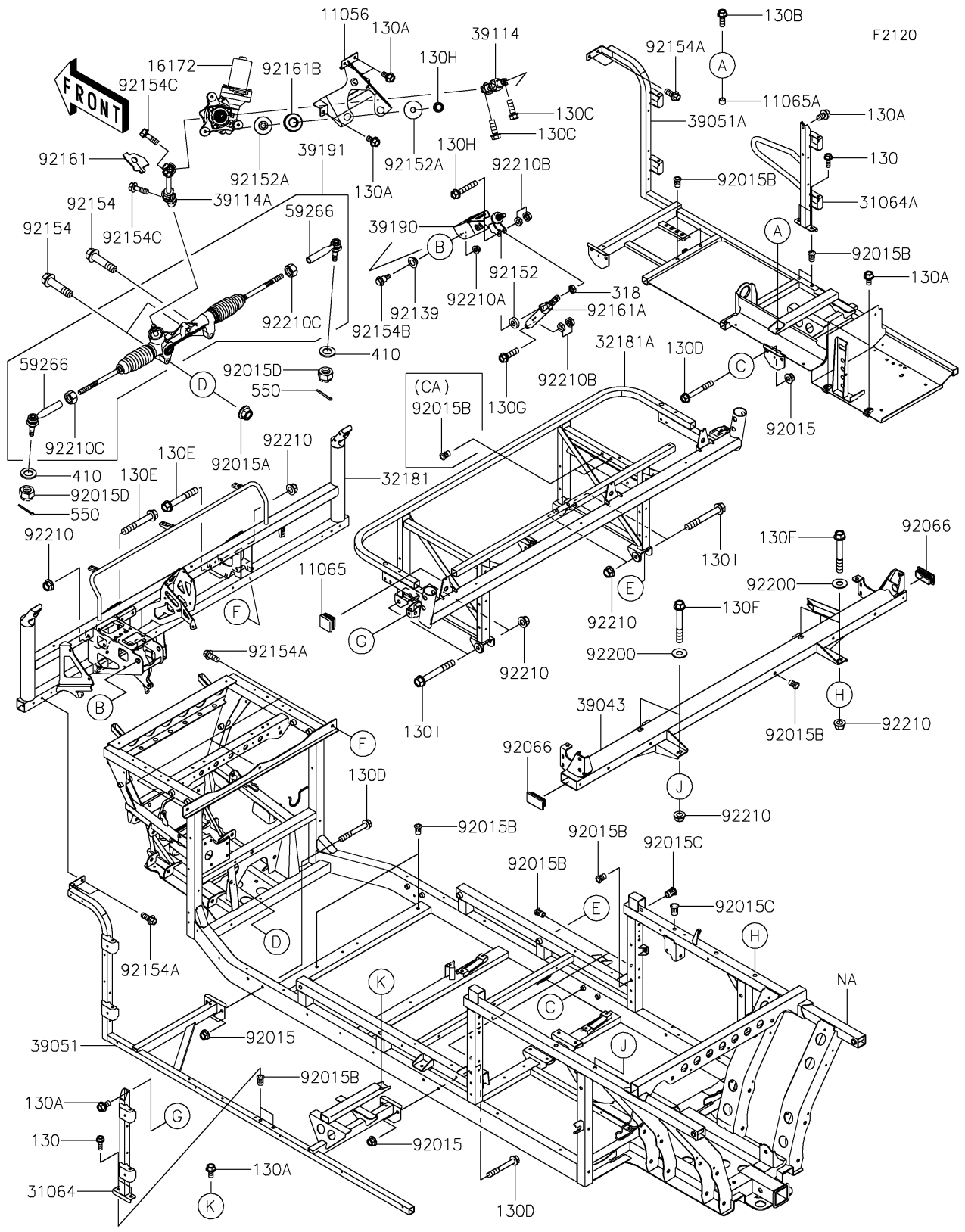


2022 MULE PRO-FXT™ RANCH EDITION PARTS DIAGRAM

Frame(ENFNN/ENFNL)



2022 MULE PRO-FXT™ RANCH EDITION PARTS LIST

Frame(ENFNN/ENFNL)

ITEM NAME	PART NUMBER	QUANTITY
BRACKET (Ref # 11056)	11056-2838	1
CAP (Ref # 11065)	11065-0901	1
CAP (Ref # 11065A)	11065-7504	1
ACTUATOR,EPS (Ref # 16172)	16172-0557	1
PIPE-COMP,RR DOOR HINGE,LH (Ref # 31064)	31064-0704	1
PIPE-COMP,RR DOOR HINGE,RH (Ref # 31064A)	31064-0705	1
FRAME-SUB-COMP,DASH PANEL (Ref # 32181)	32181-0011	1
FRAME-SUB-COMP,SEAT (Ref # 32181A)	32181-0012	1
CROSSMEMBER-COMP,C PILLAR (Ref # 39043)	39043-0025	1
FRAME-COMP-SIDE,LH (Ref # 39051)	39051-0011	1
FRAME-COMP-SIDE,RH (Ref # 39051A)	39051-0013	1
SHAFT-COMP-STRG (Ref # 39114)	39114-0019	1
SHAFT-COMP-STRG (Ref # 39114A)	39114-0031	1
SHAFT-ASSY-STEERING (Ref # 39190)	39190-0006	1
GEAR-ASSY-STEERING (Ref # 39191)	39191-0030	1
JOINT-BALL (Ref # 59266)	59266-0712	2
NUT,8MM (Ref # 92015)	92015-1432	8
NUT,LOCK,FLANGED,12MM (Ref # 92015A)	92015-1433	3
NUT,POP,6MM,L=15 (Ref # 92015B)	92015-1791	14
NUT,POP,8MM,L=16.5 (Ref # 92015C)	92015-1793	2
NUT,CASTLE,14MM (Ref # 92015D)	92015-1841	2
PLUG (Ref # 92066)	92066-7505	2
BUSHING (Ref # 92139)	92139-0230	2
COLLAR,8.2X18X5 (Ref # 92152)	92152-1848	1
COLLAR,8.5X30X10.6 (Ref # 92152A)	92152-2149	6
BOLT,FLANGED,12X50 (Ref # 92154)	92154-1008	3
BOLT,FLANGED,8X20 (Ref # 92154A)	92154-1226	7
BOLT,6X21.5 (Ref # 92154B)	92154-1320	2
BOLT (Ref # 92154C)	92154-4224	2

2022 MULE PRO-FXT™ RANCH EDITION PARTS LIST

Frame(ENFNN/ENFNL)

ITEM NAME	PART NUMBER	QUANTITY
DAMPER (Ref # 92161)	92161-1689	1
DAMPER,GAS SPRING (Ref # 92161A)	92161-1825	1
DAMPER,ACTUATOR (Ref # 92161B)	92161-7517	3
WASHER,10.5X25X1.6 (Ref # 92200)	92200-1595	4
NUT,LOCK,FLANGED,10MM (Ref # 92210)	92210-0276	12
NUT,LOCK,FLANGED,6MM (Ref # 92210A)	92210-0303	2
NUT,HARD LOCK,8MM (Ref # 92210B)	92210-0934	2
NUT,16MM (Ref # 92210C)	92210-0969	2
BOLT-FLANGED,6X18 (Ref # 130)	130BA0618	4
BOLT-FLANGED,8X14 (Ref # 130A)	130BA0814	9
BOLT-FLANGED,8X22 (Ref # 130B)	130BA0822	1
BOLT-FLANGED,8X25 (Ref # 130C)	130BA0825	2
BOLT-FLANGED,8X60 (Ref # 130D)	130BA0860	8
BOLT-FLANGED,10X65 (Ref # 130E)	130BA1065	4
BOLT-FLANGED,10X70 (Ref # 130F)	130BA1070	4
BOLT-FLANGED,8X30 (Ref # 130G)	130CA0830	1
BOLT-FLANGED,8X45 (Ref # 130H)	130CA0845	4
BOLT-FLANGED,10X75 (Ref # 130I)	130CA1075	4
NUT-HEX-SMALL,8MM (Ref # 318)	318BA0800	1
WASHER-PLAIN-SMALL,14MM (Ref # 410)	410AA1400	2
PIN-COTTER,3.0X25 (Ref # 550)	550AA3025	2
NUT,POP,6MM,L=15 (Ref # 92015B)	92015-1791	12