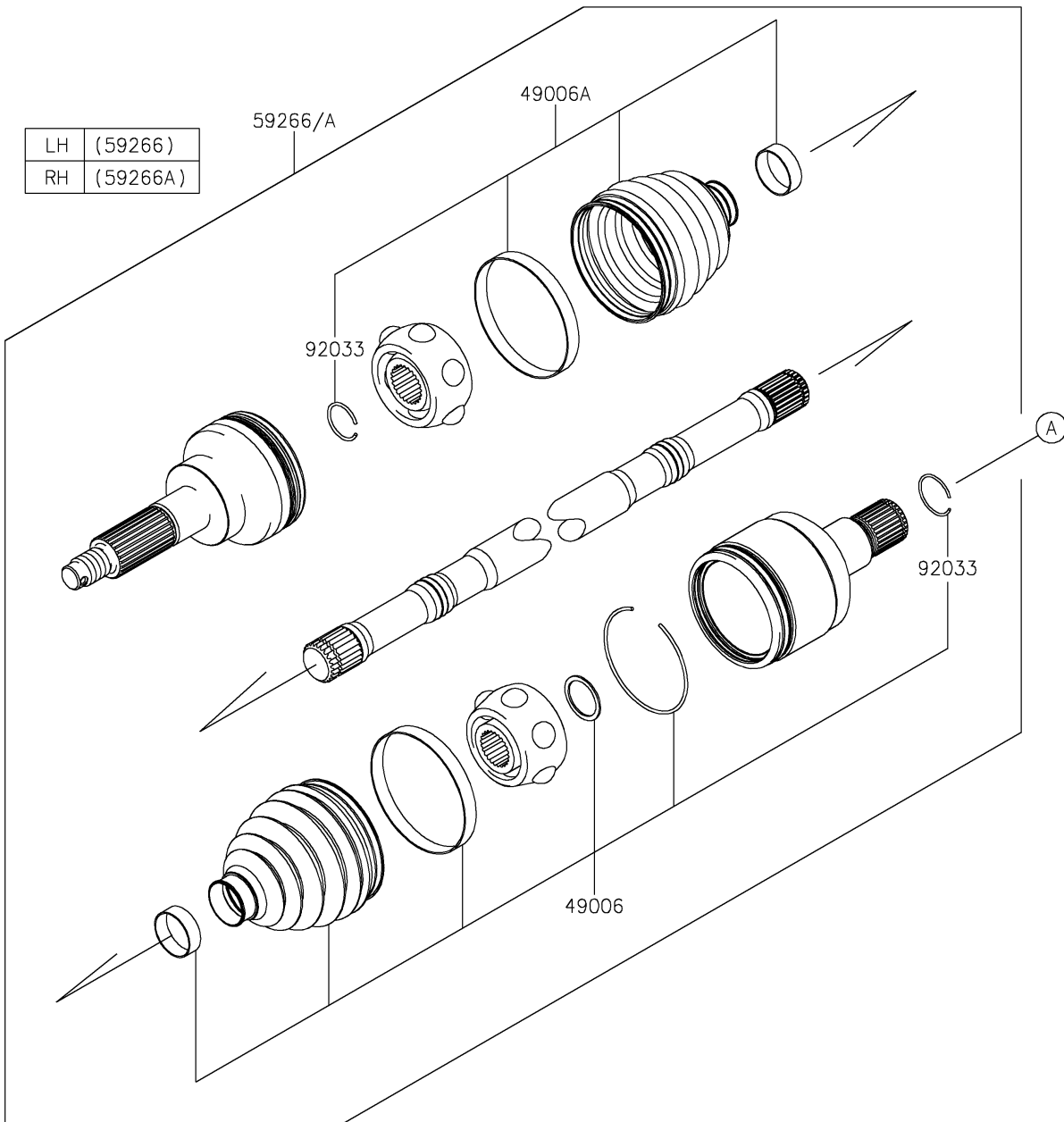
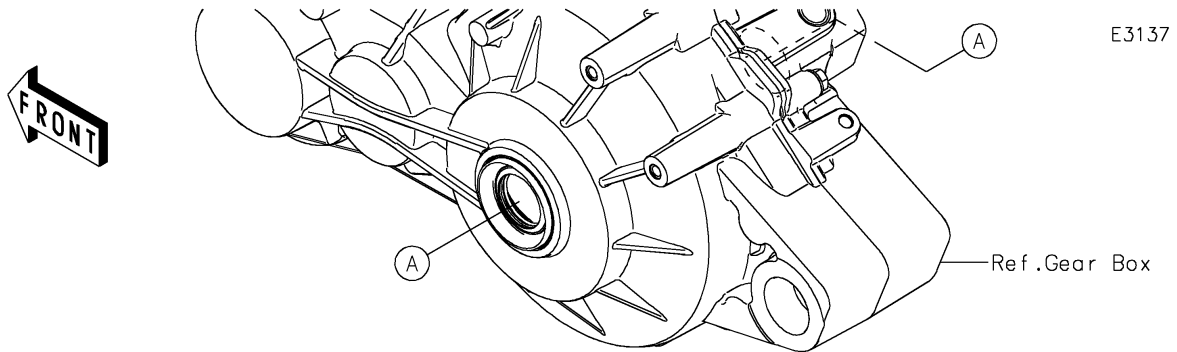


# 2022 MULE PRO-FXT™ RANCH EDITION PARTS DIAGRAM

Drive Shaft-Rear



## 2022 MULE PRO-FXT™ RANCH EDITION PARTS LIST

### Drive Shaft-Rear

ITEM NAME	PART NUMBER	QUANTITY
BOOT,INSIDE (Ref # 49006)	49006-0634	2
BOOT,OUTSIDE (Ref # 49006A)	49006-0635	2
JOINT-BALL,RR,LH (Ref # 59266)	59266-0727	1
JOINT-BALL,RR,RH (Ref # 59266A)	59266-0728	1
RING-SNAP (Ref # 92033)	92033-0848	2