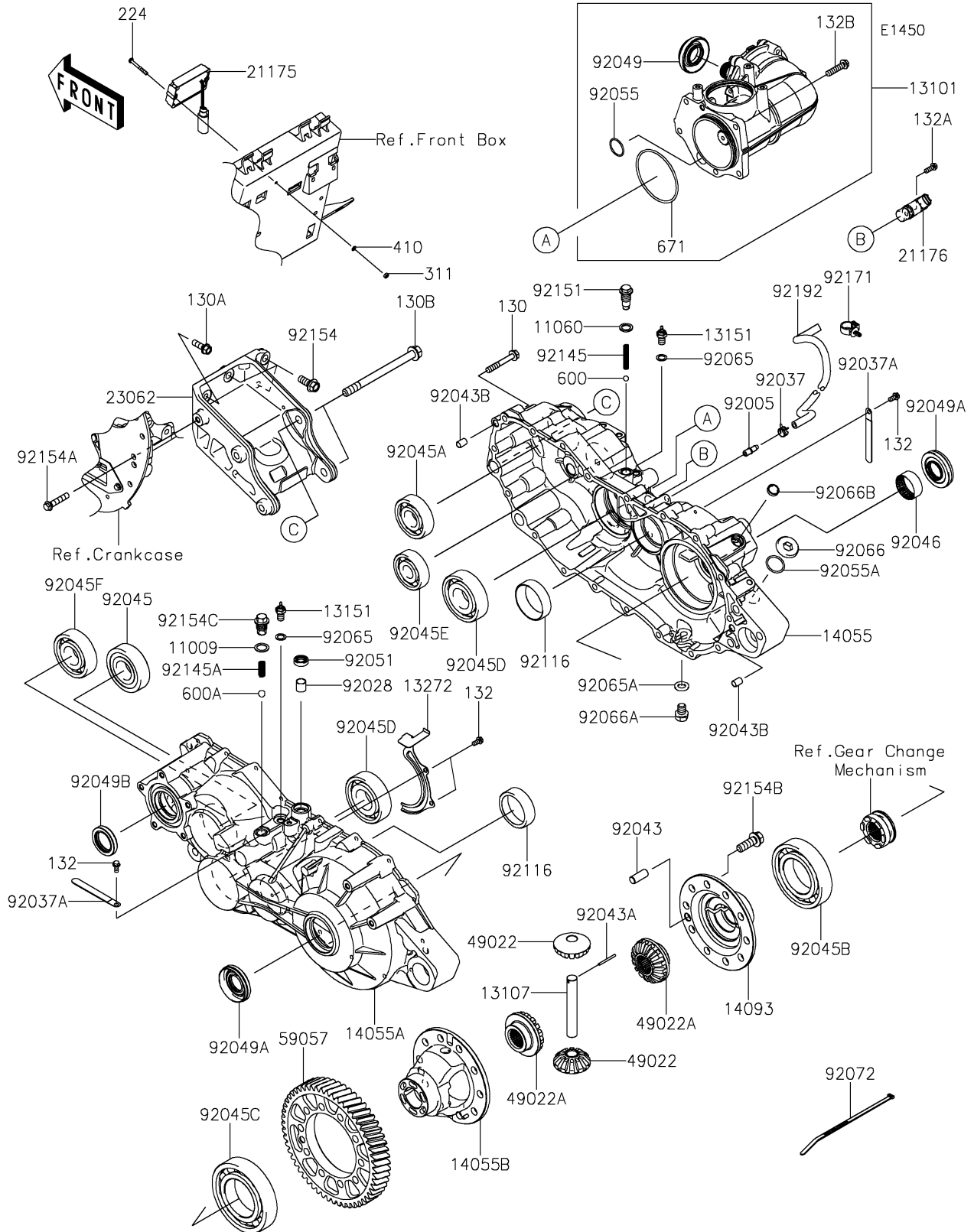


2022 MULE PRO-FXT™ RANCH EDITION PARTS DIAGRAM

Gear Box



2022 MULE PRO-FXT™ RANCH EDITION PARTS LIST

Gear Box

ITEM NAME	PART NUMBER	QUANTITY
-----------	-------------	----------