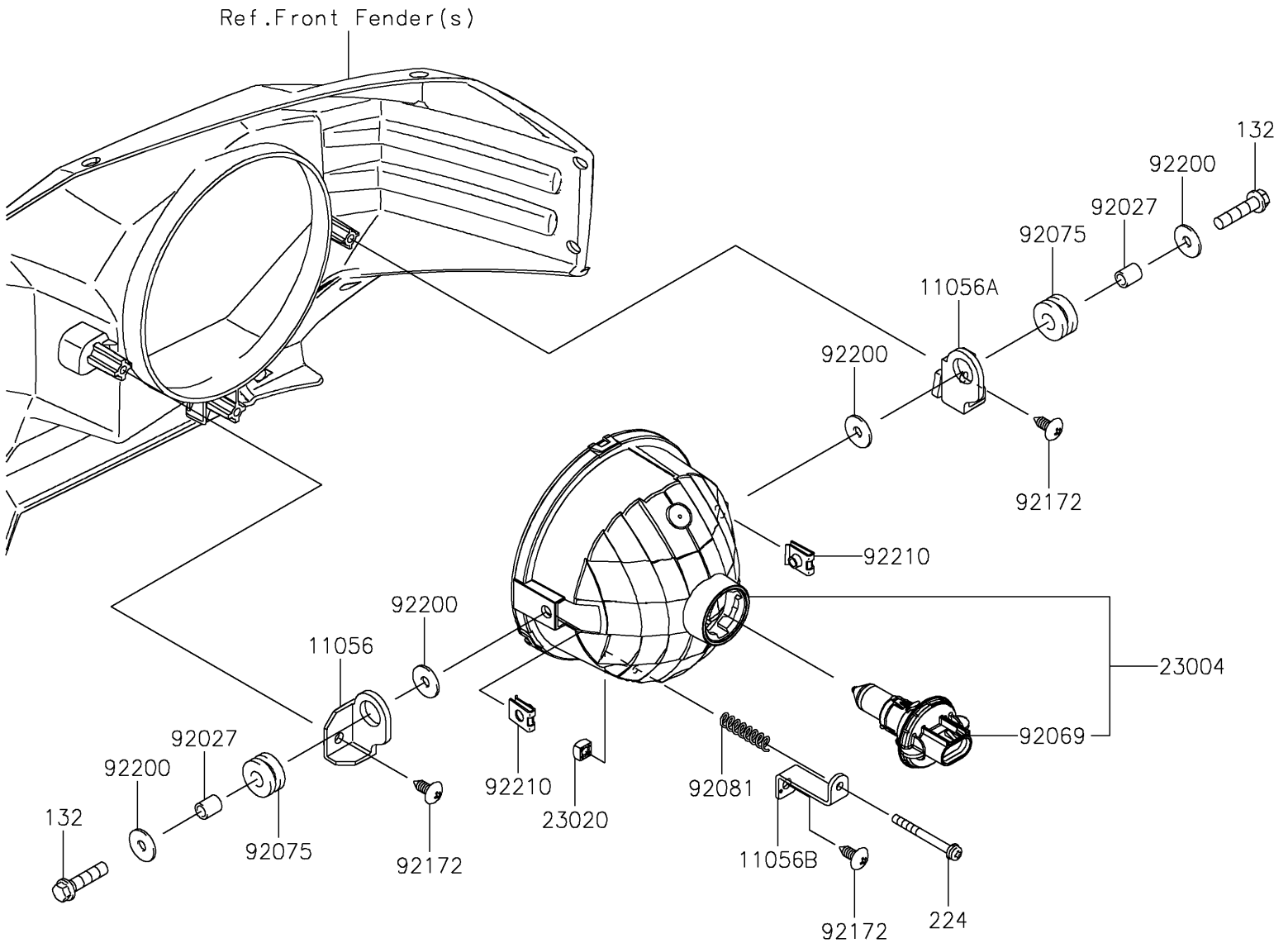


2022 MULE PRO-FXT™ EPS PARTS DIAGRAM

Headlight(s)

F2710



2022 MULE PRO-FXT™ EPS PARTS LIST

Headlight(s)

| ITEM NAME | PART NUMBER | QUANTITY |
|-------------------------------------|-------------|----------|
| BRACKET,LH (Ref # 11056) | 11056-2931 | 2 |
| BRACKET,RH (Ref # 11056A) | 11056-2932 | 2 |
| BRACKET (Ref # 11056B) | 11056-2933 | 2 |
| LAMP-HEAD (Ref # 23004) | 23004-0387 | 2 |
| NUT,4MM,FOCUS ADJUST (Ref # 23020) | 23020-018 | 2 |
| COLLAR,6.8X10X12 (Ref # 92027) | 92027-162 | 4 |
| BULB,12V 60/55W,H13 (Ref # 92069) | 92069-0105 | 2 |
| DAMPER,10X24X12 (Ref # 92075) | 92075-1690 | 4 |
| SPRING,FOCUS ADJUST (Ref # 92081) | 92081-1896 | 2 |
| SCREW,6X16 (Ref # 92172) | 92172-0284 | 6 |
| WASHER,6.5X20X1.6 (Ref # 92200) | 92200-0283 | 8 |
| NUT (Ref # 92210) | 92210-1125 | 4 |
| BOLT-FLANGED-SMALL,6X25 (Ref # 132) | 132BA0625 | 4 |
| SCREW-PAN-WP-CROS (Ref # 224) | 224AA0440 | 2 |