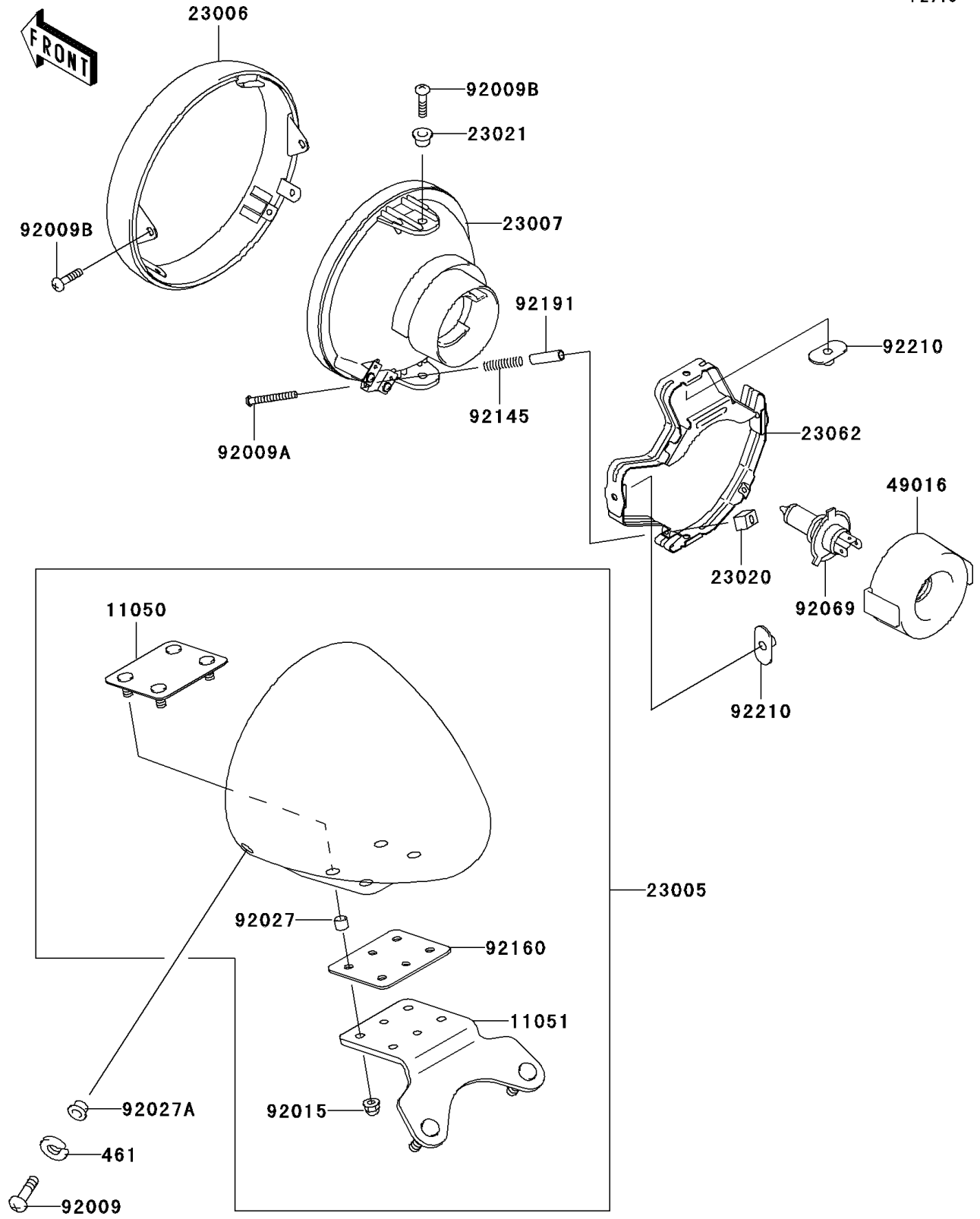


1999 Vulcan 1500 Drifter PARTS DIAGRAM

Headlight(s)

F2710



1999 Vulcan 1500 Drifter PARTS LIST

Headlight(s)

ITEM NAME	PART NUMBER	QUANTITY
WASHER-SPRING,5MM,BLACK (Ref # 461)	461K0500	2
BRACKET,HEAD LAMP BODY (Ref # 11050)	11050-1978	1
BRACKET,HEAD LAMP BODY (Ref # 11051)	11051-1085	1
BODY-COMP-HEAD LAMP,BLACK (Ref # 23005)	23005-1172-10	1
RIM-LAMP (Ref # 23006)	23006-1079	1
LENS-COMP,HEAD LAMP (Ref # 23007)	23007-1359	1
NUT,4MM,FOCUS ADJUST (Ref # 23020)	23020-018	2
WASHER (Ref # 23021)	23021-010	2
BRACKET-COMP,HEAD LAMP (Ref # 23062)	23062-1131	1
COVER-SEAL,SOCKET (Ref # 49016)	49016-1203	1
SCREW,5X16 (Ref # 92009)	92009-1693	2
SCREW,FOCUS ADJUST,4X60 (Ref # 92009A)	92009-1816	2
SCREW,5X16 (Ref # 92009B)	92009-1879	4
NUT,CAP,6MM,BLACK (Ref # 92015)	92015-1170	4
COLLAR,6.8X10X6 (Ref # 92027)	92027-103	4
COLLAR,HEAD LAMP,BLACK (Ref # 92027A)	92027-1503	2
BULB,12V 60/55W,H4 (Ref # 92069)	92069-1002	1
SPRING,HEAD LAMP LENS (Ref # 92145)	92145-1268	2
DAMPER (Ref # 92160)	92160-1960	1
TUBE,3.5X5.5X19 (Ref # 92191)	92191-1217	2
NUT,SPECIAL,5MM (Ref # 92210)	92210-1060	4