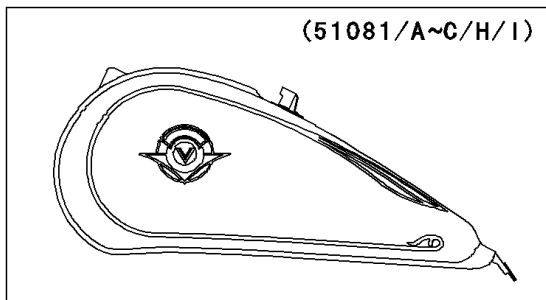
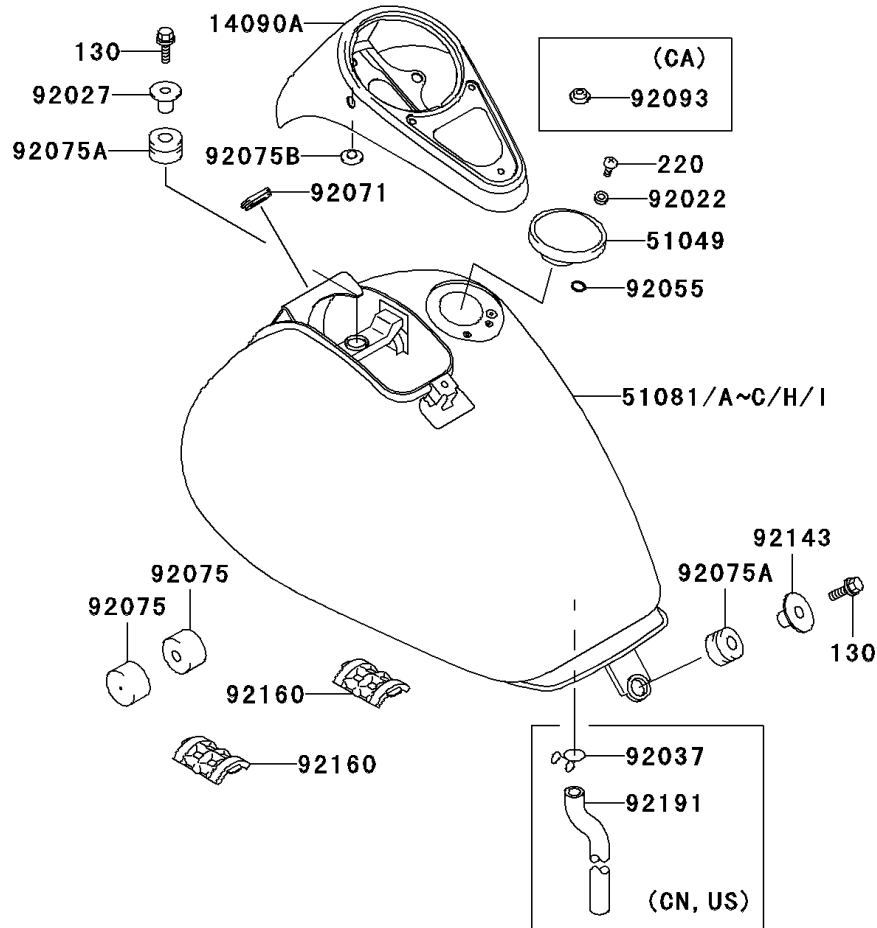


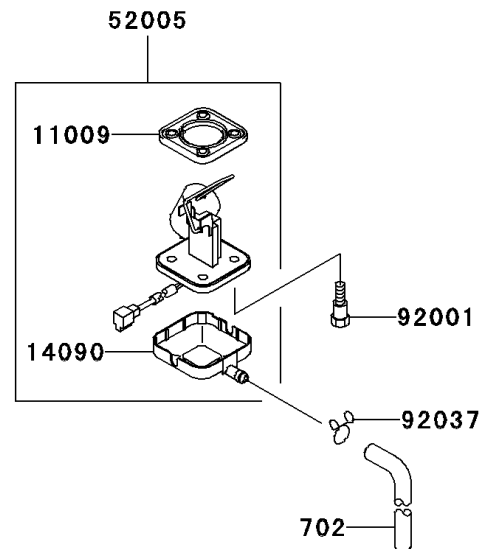
1999 Vulcan 1500 Drifter PARTS DIAGRAM

Fuel Tank

F2410



WD



1999 Vulcan 1500 Drifter PARTS LIST

Fuel Tank

ITEM NAME	PART NUMBER	QUANTITY
GASKET,FUEL GAUGE (Ref # 11009)	11009-1656	1
COVER,FUEL GAUGE (Ref # 14090)	14090-1624	1
COVER,METER (Ref # 14090A)	14090-1996	1
CAP-TANK,FUEL (Ref # 51049)	51049-1132	1
GAUGE,FUEL (Ref # 52005)	52005-1129	1
BOLT,FUEL GAUGE (Ref # 92001)	92001-1705	4
WASHER,5.1X10X1.0 (Ref # 92022)	92022-1977	2
COLLAR,L=19.3 (Ref # 92027)	92027-1780	1
RING-O (Ref # 92055)	92055-1023	2
GROMMET (Ref # 92071)	92071-1187	1
DAMPER,FUEL TANK (Ref # 92075)	92075-125	2
DAMPER (Ref # 92075A)	92075-1736	2
DAMPER,RUBBER (Ref # 92075B)	92075-261	1
BOLT-FLANGED,8X30 (Ref # 130)	130H0830	2
SCREW-PAN-CROS (Ref # 220)	220D0510	2
TUBE-RUBBER,7X10X860 (Ref # 702)	702A07860	1
COLLAR (Ref # 92143)	92143-1835	1
DAMPER,FUEL TANK (Ref # 92160)	92160-1907	2
TANK-COMP-FUEL,D.GOOSEBERRY (Ref # 51081)	51081-5143-Q6	1
TANK-COMP-FUEL,D.GOOSEBERRY (Ref # 51081A)	51081-5144-Q6	1
CLAMP,TUBE (Ref # 92037)	92037-147	1
CLAMP,TUBE (Ref # 92037)	92037-147	2
SEAL,FUEL TANK CAP (Ref # 92093)	92093-1030	1
TUBE,DRAIN (Ref # 92191)	92191-1272	1