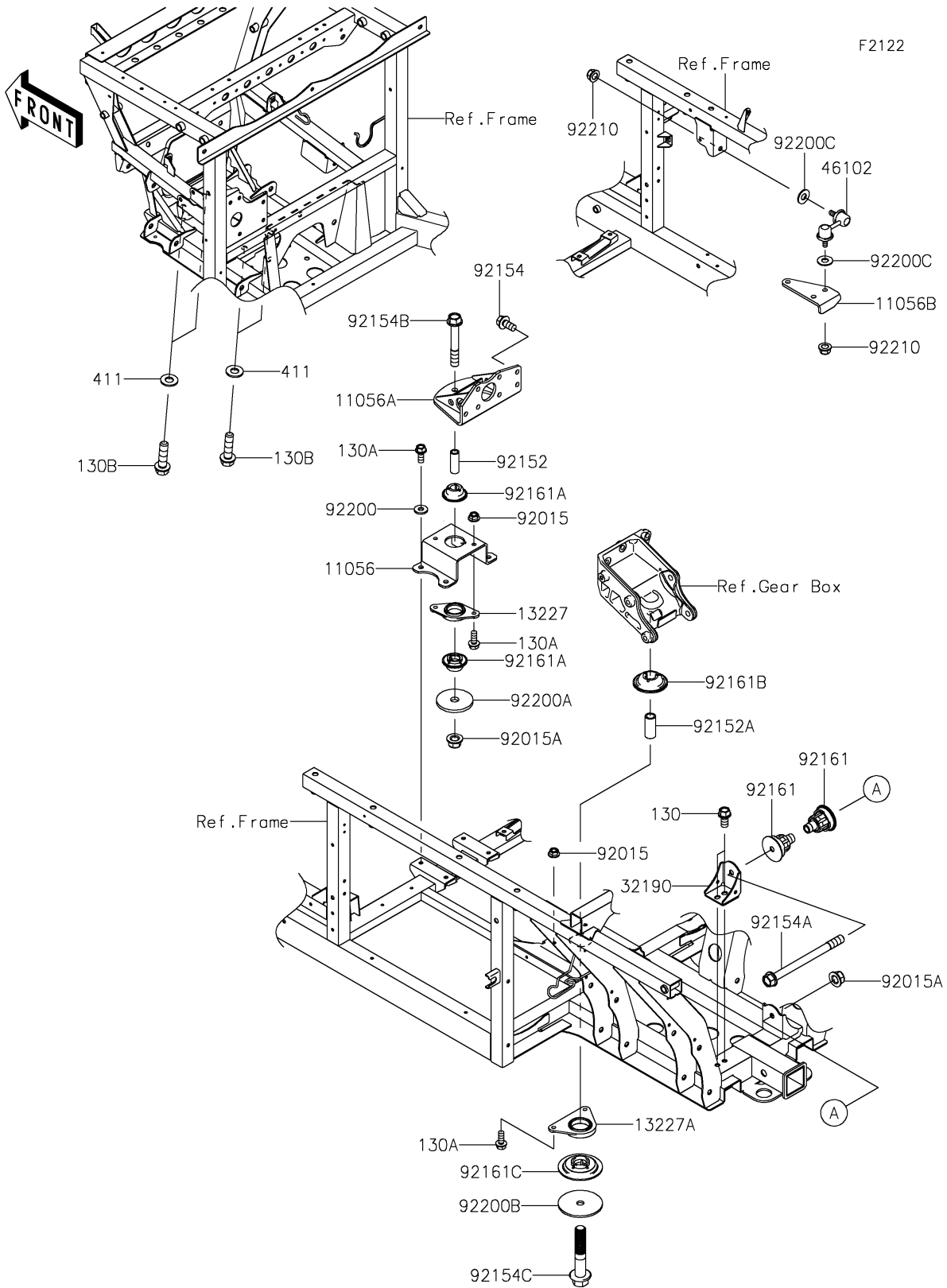


# 2021 MULE PRO-FX™ EPS PARTS DIAGRAM

## Engine Mount



# 2021 MULE PRO-FX™ EPS PARTS LIST

Engine Mount

| ITEM NAME | PART NUMBER | QUANTITY |
|-----------|-------------|----------|
|-----------|-------------|----------|