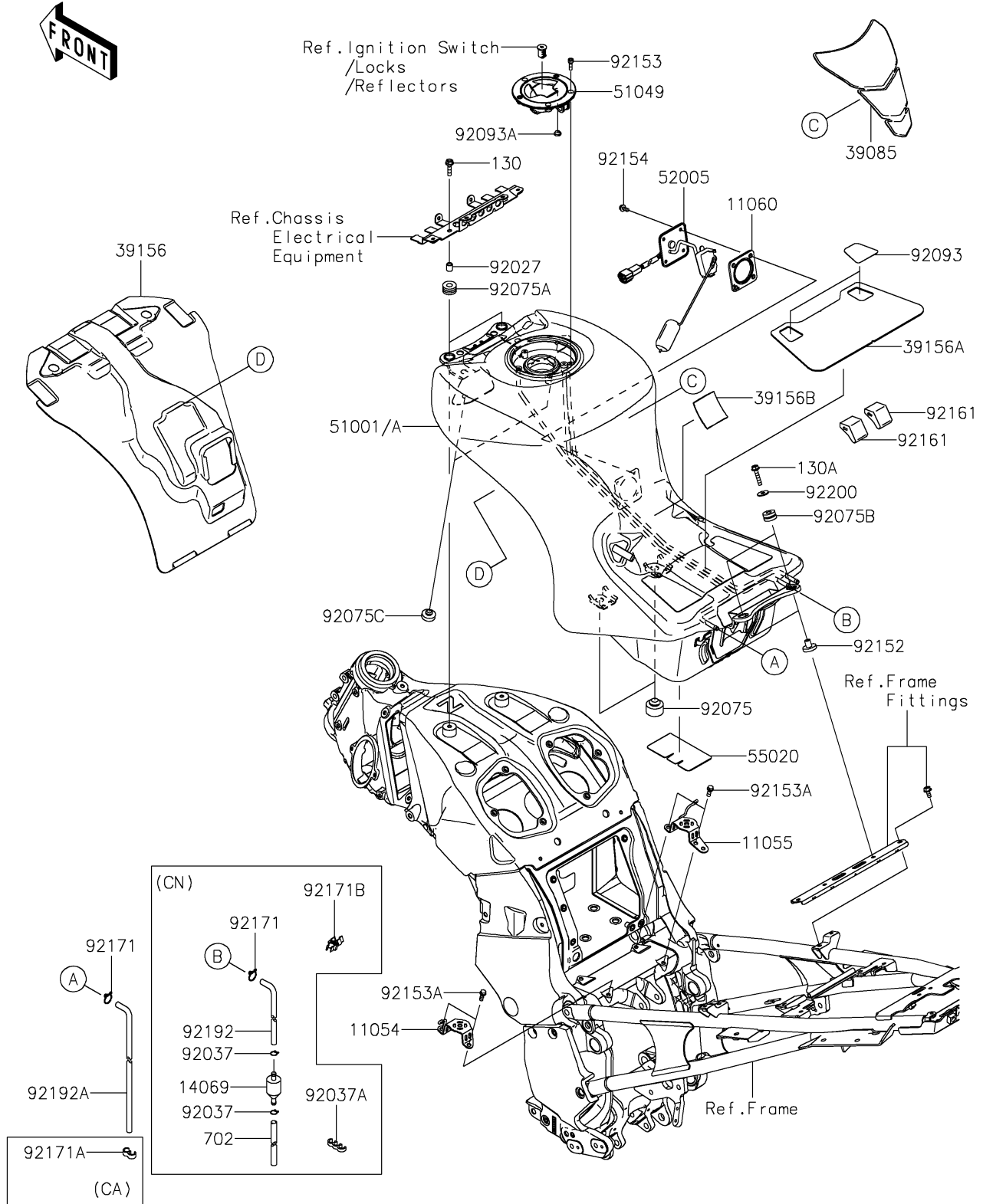


2022 Concours®14 ABS PARTS DIAGRAM

Fuel Tank

F2410



2022 Concours®14 ABS PARTS LIST

Fuel Tank

ITEM NAME	PART NUMBER	QUANTITY
BRACKET,FUEL TANK,CNT,LH (Ref # 11054)	11054-0681	1
BRACKET,FUEL TANK,CNT,RH (Ref # 11055)	11055-0348	1
GASKET,FUEL GAUGE (Ref # 11060)	11060-1952	1
PAD-TANK (Ref # 39085)	39085-0011	1
PAD (Ref # 39156)	39156-0794	1
PAD,FUEL TANK (Ref # 39156A)	39156-0863	1
PAD,50X50X3 (Ref # 39156B)	39156-1878	1
CAP-TANK,FUEL (Ref # 51049)	51049-0744	1
GAUGE,FUEL (Ref # 52005)	52005-0026	1
GUARD,FUEL TANK (Ref # 55020)	55020-0551	1
COLLAR,6.8X10X12 (Ref # 92027)	92027-162	2
DAMPER (Ref # 92075)	92075-015	2
DAMPER,10X24X12 (Ref # 92075A)	92075-1690	2
DAMPER (Ref # 92075B)	92075-209	2
DAMPER,9X24X14 (Ref # 92075C)	92075-281	2
SEAL (Ref # 92093)	92093-0583	2
SEAL,FUEL TANK CAP (Ref # 92093A)	92093-1030	1
COLLAR (Ref # 92152)	92152-0364	2
BOLT,SOCKET,5X16 (Ref # 92153)	92153-1616	3
BOLT,FLANGED,6X20 (Ref # 92153A)	92153-1694	4
BOLT,FLANGED,5X12 (Ref # 92154)	92154-1856	4
DAMPER (Ref # 92161)	92161-1481	2
TUBE,DRAIN (Ref # 92192A)	92192-0693	1
WASHER,6.5X20X1.6 (Ref # 92200)	92200-0283	2
BOLT-FLANGED,6X25 (Ref # 130)	130BA0625	2
BOLT-FLANGED,6X30 (Ref # 130A)	130BA0630	2