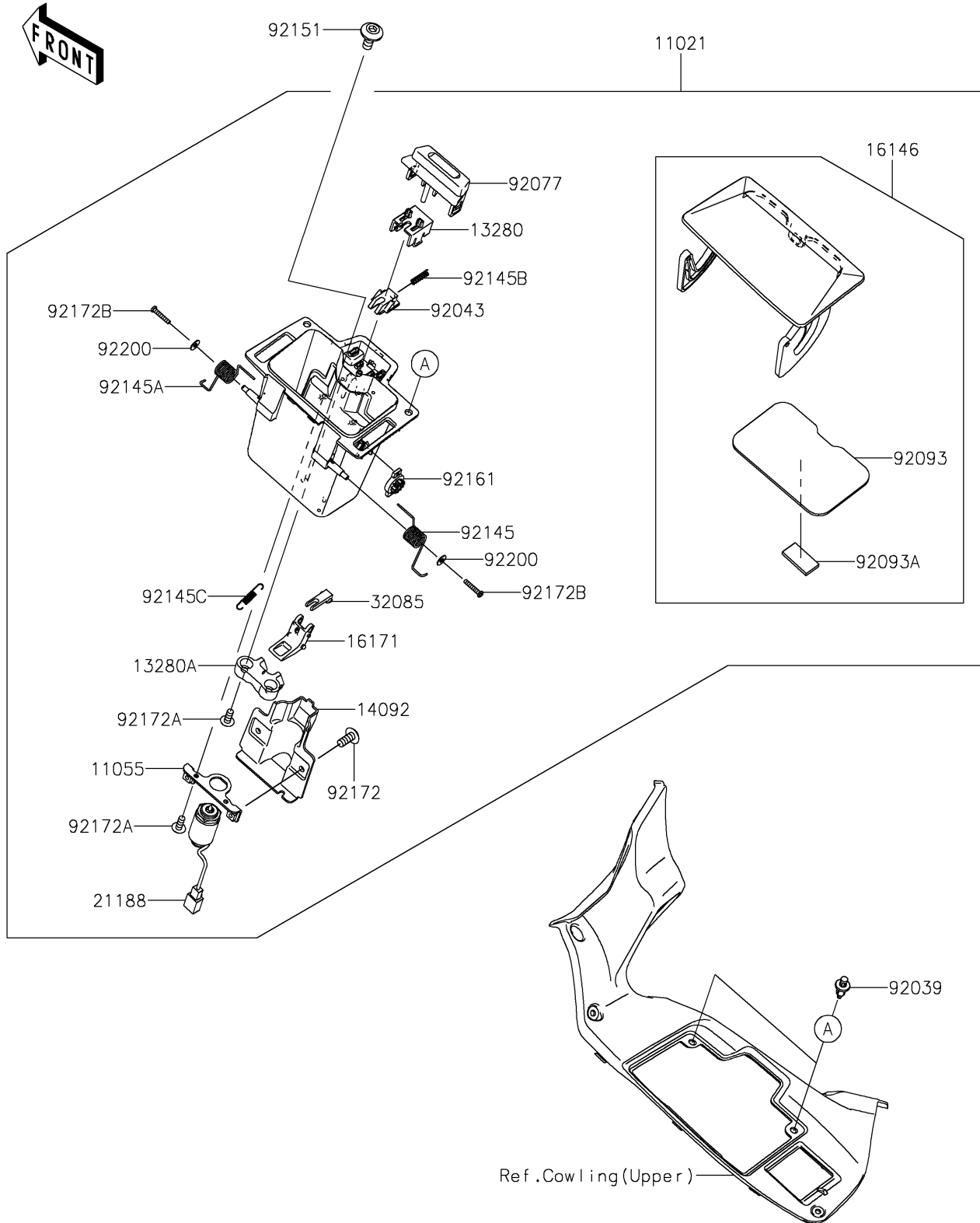


2022 Concours®14 ABS PARTS DIAGRAM

Front Box

F2135



2022 Concours®14 ABS PARTS LIST

Front Box

ITEM NAME	PART NUMBER	QUANTITY
CASE-ASSY,STORAGE (Ref # 11021)	11021-0020	1
BRACKET (Ref # 11055)	11055-1711	1
HOLDER (Ref # 13280)	13280-0344	1
HOLDER (Ref # 13280A)	13280-0371	1
COVER (Ref # 14092)	14092-0022	1
COVER-ASSY (Ref # 16146)	16146-0115	1
LINK (Ref # 16171)	16171-0017	1
SOLENOID (Ref # 21188)	21188-0009	1
STOPPER (Ref # 32085)	32085-0193	1
RIVET (Ref # 92039)	92039-0023	2
PIN (Ref # 92043)	92043-0201	1
KNOB (Ref # 92077)	92077-0028	1
SEAL (Ref # 92093)	92093-0166	1
SEAL (Ref # 92093A)	92093-0167	1
SPRING (Ref # 92145)	92145-0727	1
SPRING (Ref # 92145A)	92145-0728	1
SPRING (Ref # 92145B)	92145-0729	1
SPRING (Ref # 92145C)	92145-0824	1
BOLT,SOCKET,6X14 (Ref # 92151)	92151-1654	1
DAMPER (Ref # 92161)	92161-0470	1
SCREW,5X12,GREEN (Ref # 92172)	92172-0008	2
SCREW,TAPPING,4X10 (Ref # 92172A)	92172-0172	4
SCREW,TAPPING,2.5X14 (Ref # 92172B)	92172-0440	2
WASHER,3.3X8X0.5 (Ref # 92200)	92200-0514	2