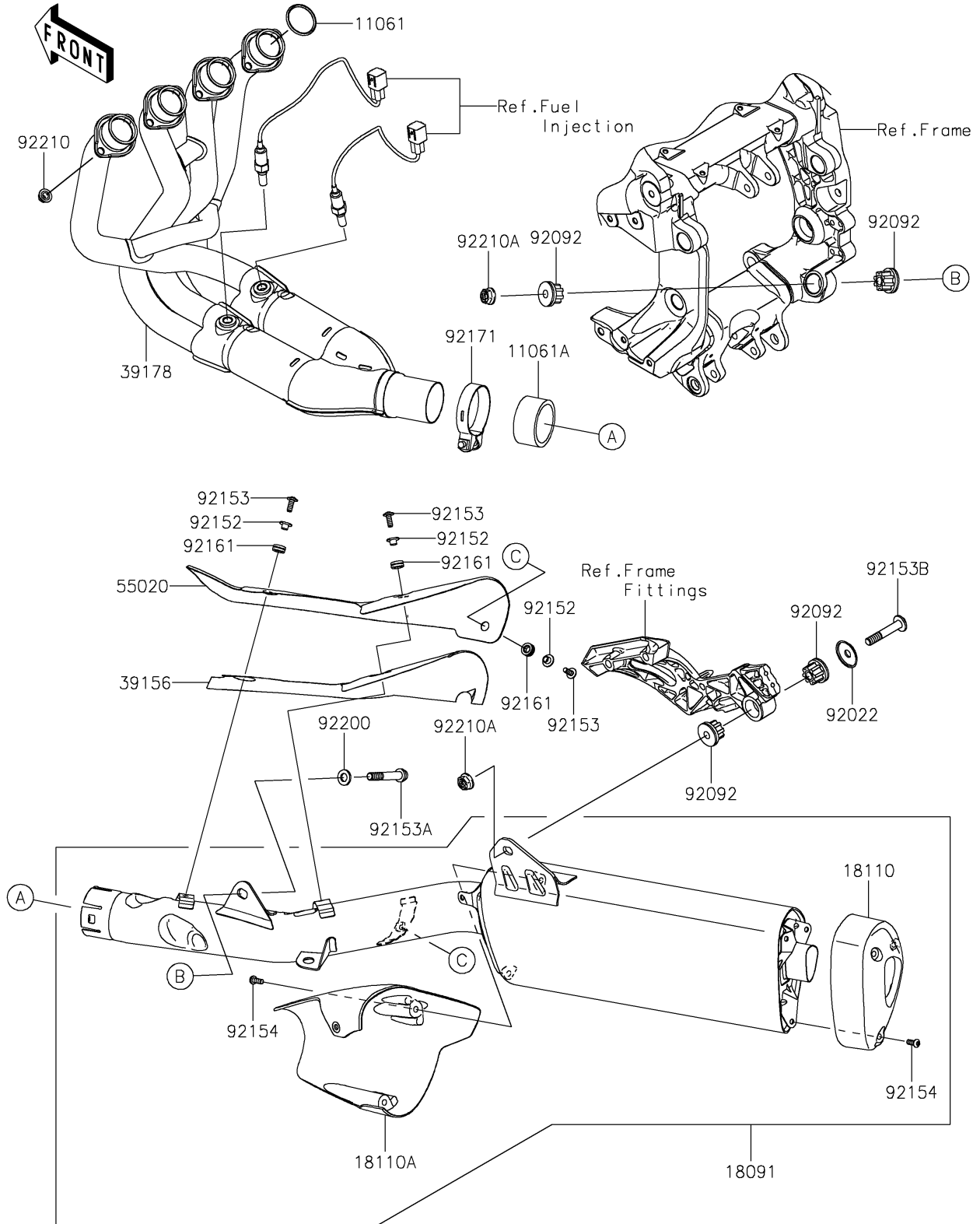


2022 Concours®14 ABS PARTS DIAGRAM

Muffler(s)

E1140



2022 Concours®14 ABS PARTS LIST

Muffler(s)

ITEM NAME	PART NUMBER	QUANTITY
GASKET,EX PIPE (Ref # 11061)	11061-0027	4
GASKET,54X62X30 (Ref # 11061A)	11061-0448	1
BODY-COMP-MUFFLER (Ref # 18091)	18091-0989	1
BODY END-MUFFLER,RR (Ref # 18110)	18110-0191	1
BODY END-MUFFLER,FR (Ref # 18110A)	18110-0192	1
PAD (Ref # 39156)	39156-1830	1
MANIFOLD-COMP-EXHAUST (Ref # 39178)	39178-0236	1
GUARD (Ref # 55020)	55020-1838	1
WASHER (Ref # 92022)	92022-289	1
BUSHING-RUBBER,MUFFLER (Ref # 92092)	92092-1087	4
COLLAR,6.3X8.3X16 (Ref # 92152)	92152-0286	3
BOLT,SOCKET,6X16 (Ref # 92153)	92153-0817	3
BOLT,SOCKET,10X60 (Ref # 92153A)	92153-1837	1
BOLT,SOCKET,10X58 (Ref # 92153B)	92153-1930	1
BOLT (Ref # 92154)	92154-0298	6
DAMPER (Ref # 92161)	92161-0306	3
CLAMP,64.5MM (Ref # 92171)	92171-0683	1
WASHER,10.7X20X2.5 (Ref # 92200)	92200-0393	1
NUT,8MM (Ref # 92210)	92210-0076	8
NUT,10X1.25 (Ref # 92210A)	92210-0316	2