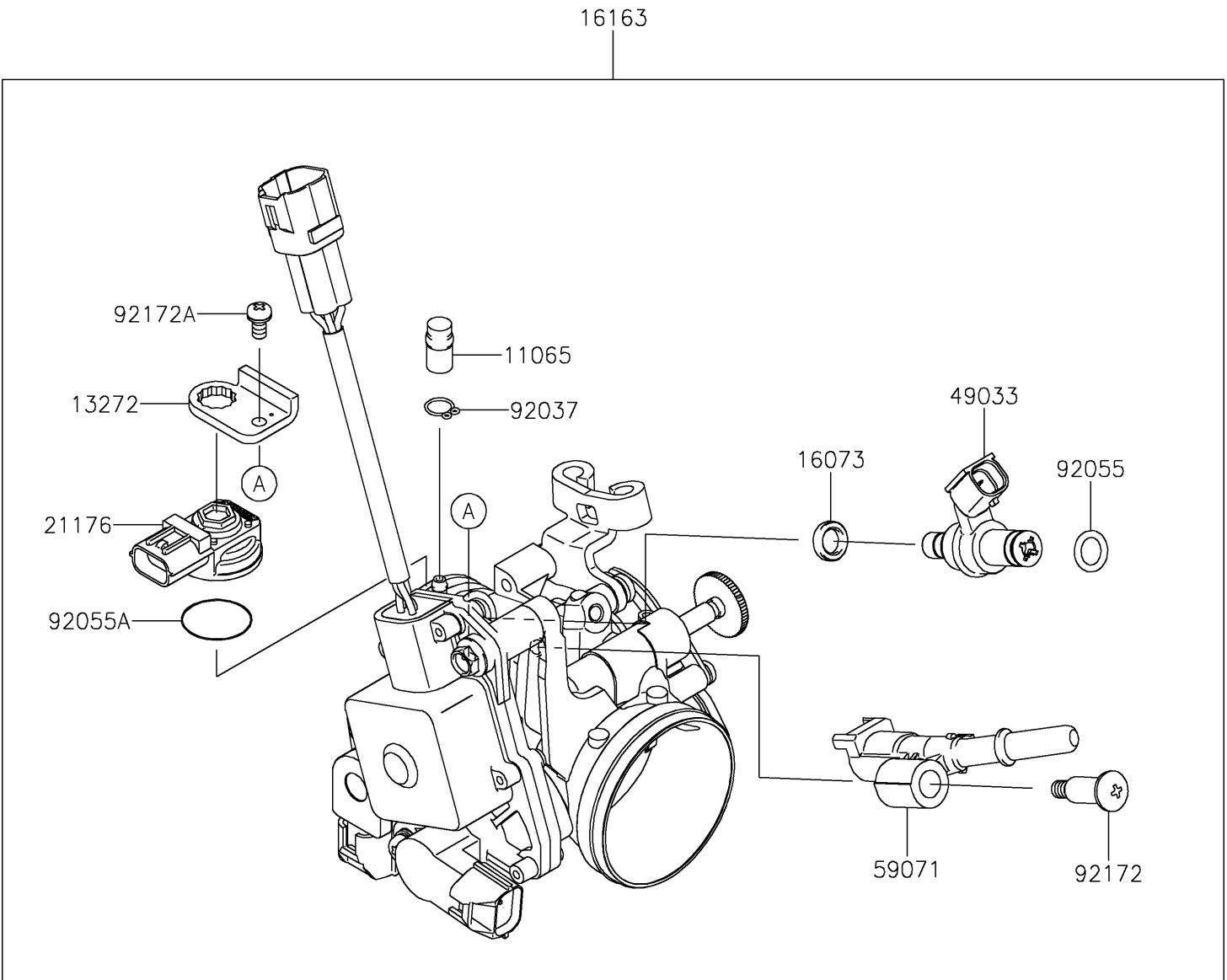


2023 KLX®300SM PARTS DIAGRAM

Throttle

E1510



2023 KLX®300SM PARTS LIST

Throttle

ITEM NAME	PART NUMBER	QUANTITY
-----------	-------------	----------