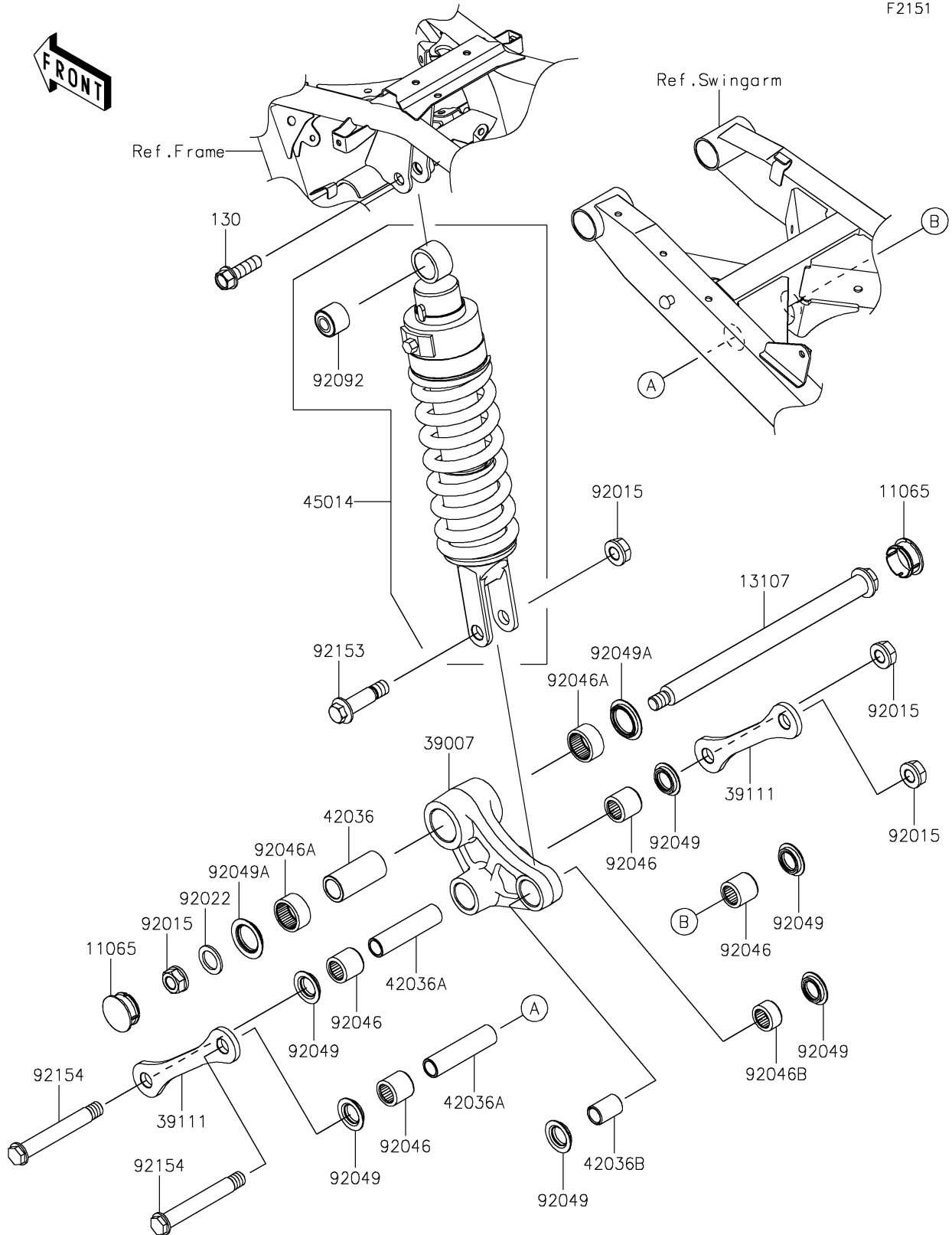


2022 KLR® 650 PARTS DIAGRAM

Suspension/Shock Absorber

F2151



2022 KLR® 650 PARTS LIST

Suspension/Shock Absorber

| ITEM NAME | PART NUMBER | QUANTITY |
|--|-------------|----------|
| CAP,32X14 (Ref # 11065) | 11065-0822 | 2 |
| SHAFT,SUSPENSION ARM (Ref # 13107) | 13107-0928 | 1 |
| ARM-SUSP,UNI TRAK (Ref # 39007) | 39007-0075 | 1 |
| ROD-TIE,SUSPENSION (Ref # 39111) | 39111-0386 | 2 |
| SLEEVE,20X28X60 (Ref # 42036) | 42036-0071 | 1 |
| SLEEVE,15X20X82 (Ref # 42036A) | 42036-0072 | 2 |
| SLEEVE,15X20X30 (Ref # 42036B) | 42036-0073 | 1 |
| SHOCKABSORBER (Ref # 45014) | 45014-0693 | 1 |
| NUT,14MM (Ref # 92015) | 92015-1459 | 4 |
| WASHER,20X30X2.3 (Ref # 92022) | 92022-1568 | 1 |
| BEARING-NEEDLE,BM202726 (Ref # 92046) | 92046-1110 | 4 |
| BEARING-NEEDLE,BM2817 (Ref # 92046A) | 92046-1111 | 2 |
| BEARING-NEEDLE,BM202715 (Ref # 92046B) | 92046-1112 | 1 |
| SEAL-OIL,ARM (Ref # 92049) | 92049-1109 | 6 |
| SEAL-OIL,28X34X5.7 (Ref # 92049A) | 92049-1181 | 2 |
| BUSHING-RUBBER (Ref # 92092) | 92092-1063 | 1 |
| BOLT,FLANGED,14X56 (Ref # 92153) | 92153-1692 | 1 |
| BOLT,FLANGED,14X108 (Ref # 92154) | 92154-1427 | 2 |
| BOLT-FLANGED,12X40 (Ref # 130) | 130BA1240 | 1 |