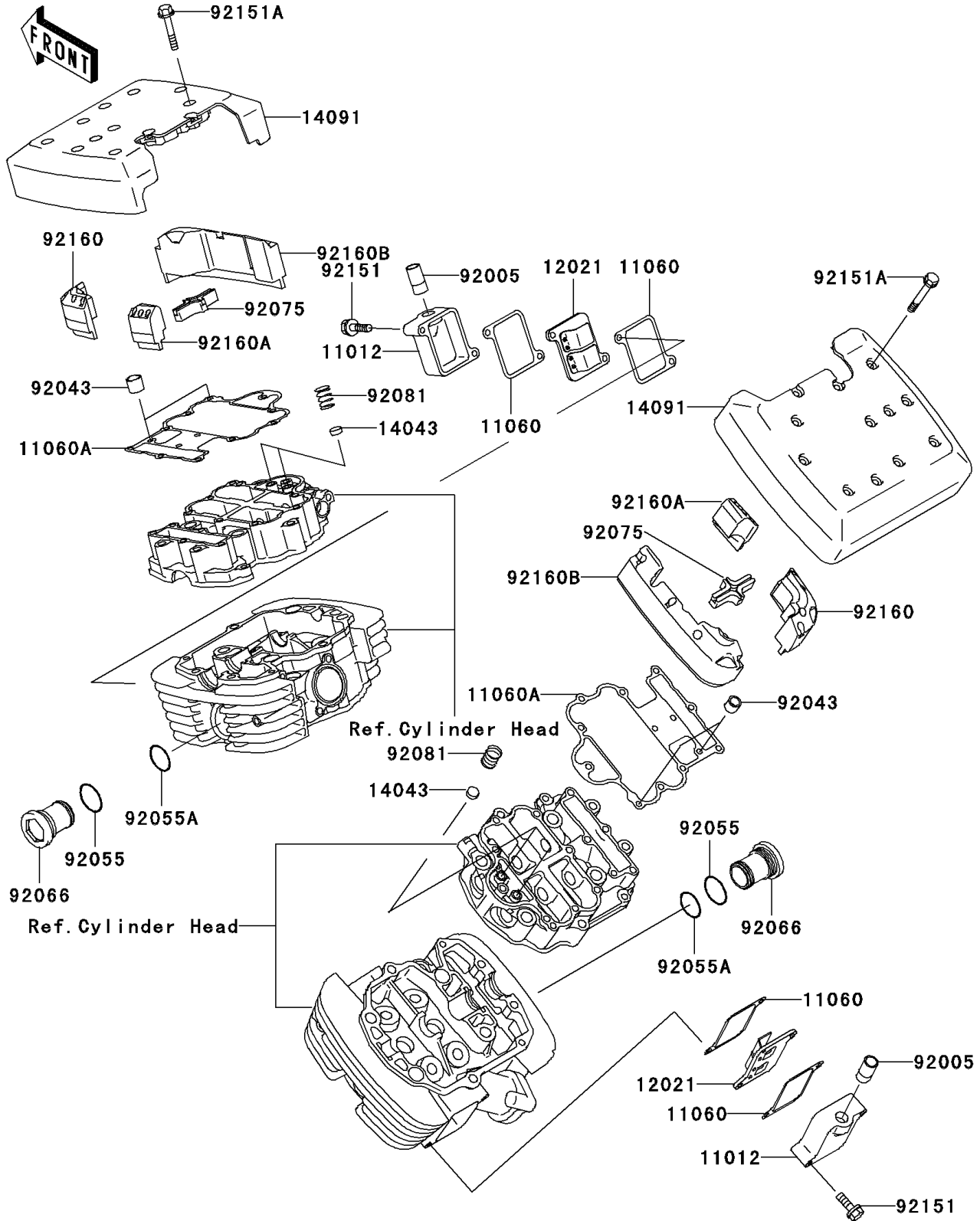


2001 Vulcan 1500 Classic PARTS DIAGRAM

Cylinder Head Cover

E1112



2001 Vulcan 1500 Classic PARTS LIST

Cylinder Head Cover

ITEM NAME	PART NUMBER	QUANTITY
CAP, REED VALVE (Ref # 11012)	11012-1953	2
GASKET, REED VALVE CAP (Ref # 11060)	11060-1733	4
GASKET, ROCKER CASE COVER (Ref # 11060A)	11060-1917	2
VALVE-ASSY-REED (Ref # 12021)	12021-1108	2
FILTER, OIL (Ref # 14043)	14043-1056	4
COVER, ROCKER CASE (Ref # 14091)	14091-1167	2
FITTING, REED VALVE (Ref # 92005)	92005-1006	2
PIN, 4.2X6X12 (Ref # 92043)	92043-1262	4
RING-O, 31.7X2.4 (Ref # 92055)	92055-049	2
RING-O, 27.7X1.9 (Ref # 92055A)	92055-1272	2
PLUG, SLEEVE (Ref # 92066)	92066-1445	2
DAMPER (Ref # 92075)	92075-1998	2
SPRING, OIL FILTER (Ref # 92081)	92081-1776	4
BOLT, 6X45 (Ref # 92151)	92151-1059	4
BOLT, 6X20 (Ref # 92151A)	92151-1252	24
DAMPER (Ref # 92160)	92160-1698	2
DAMPER (Ref # 92160A)	92160-1699	2
DAMPER (Ref # 92160B)	92160-1711	2