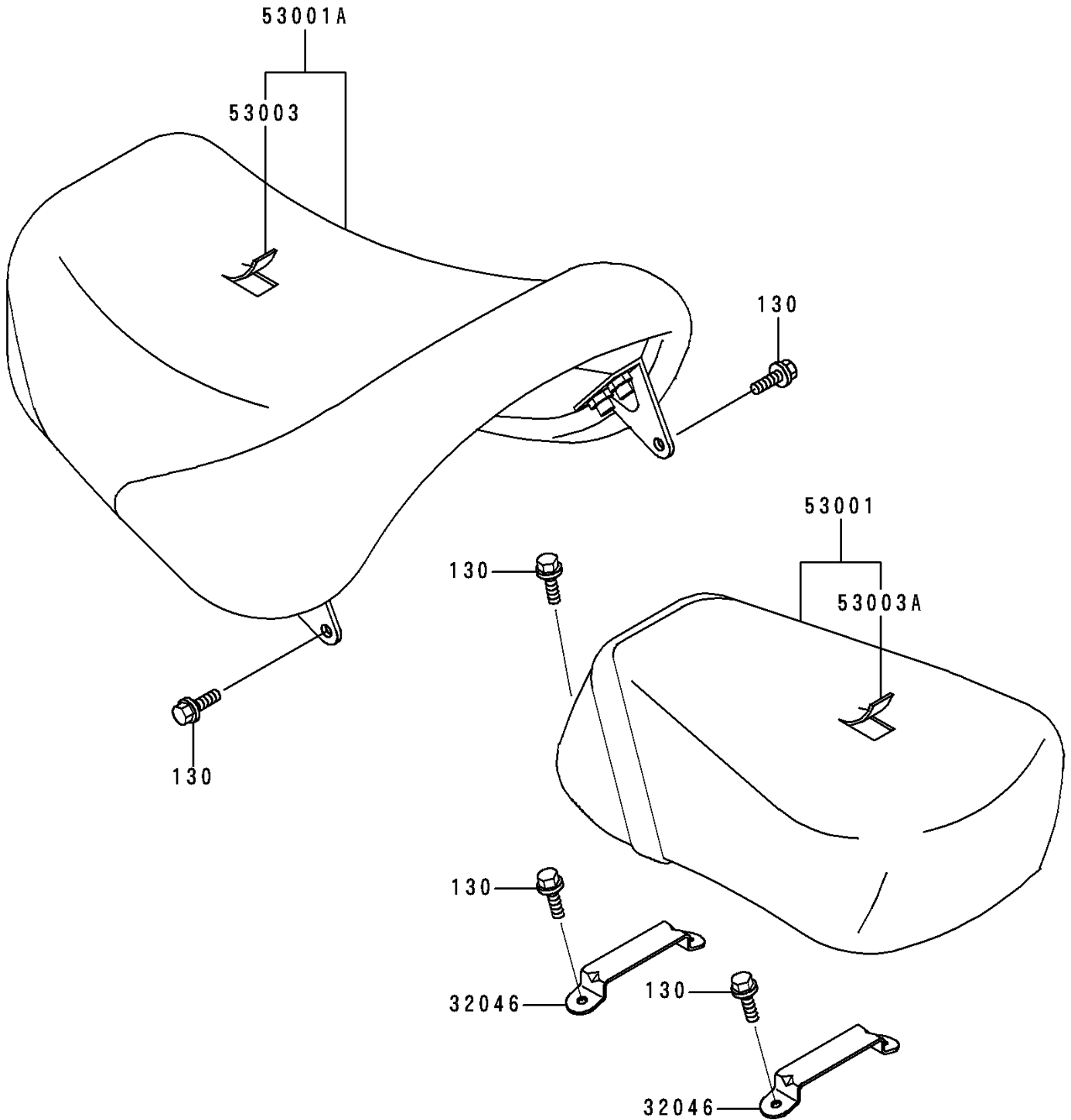


1998 Vulcan 1500 Classic PARTS DIAGRAM

Seat

F2510



1998 Vulcan 1500 Classic PARTS LIST

Seat

ITEM NAME	PART NUMBER	QUANTITY
BOLT-FLANGED,6X14,BLACK (Ref # 130)	130J0614	7
BRACKET-SEAT,RR (Ref # 32046)	32046-1412	2
SEAT-ASSY,RR,W/BAND,BLACK (Ref # 53001)	53001-1841-MA	1
SEAT-ASSY,FR,BLACK (Ref # 53001A)	53001-1872-MA	1
LEATHER,FRONT SAET,BLACK (Ref # 53003)	53003-1388-MA	1
LEATHER,REAR SEAT,BLACK (Ref # 53003A)	53003-1389-MA	1