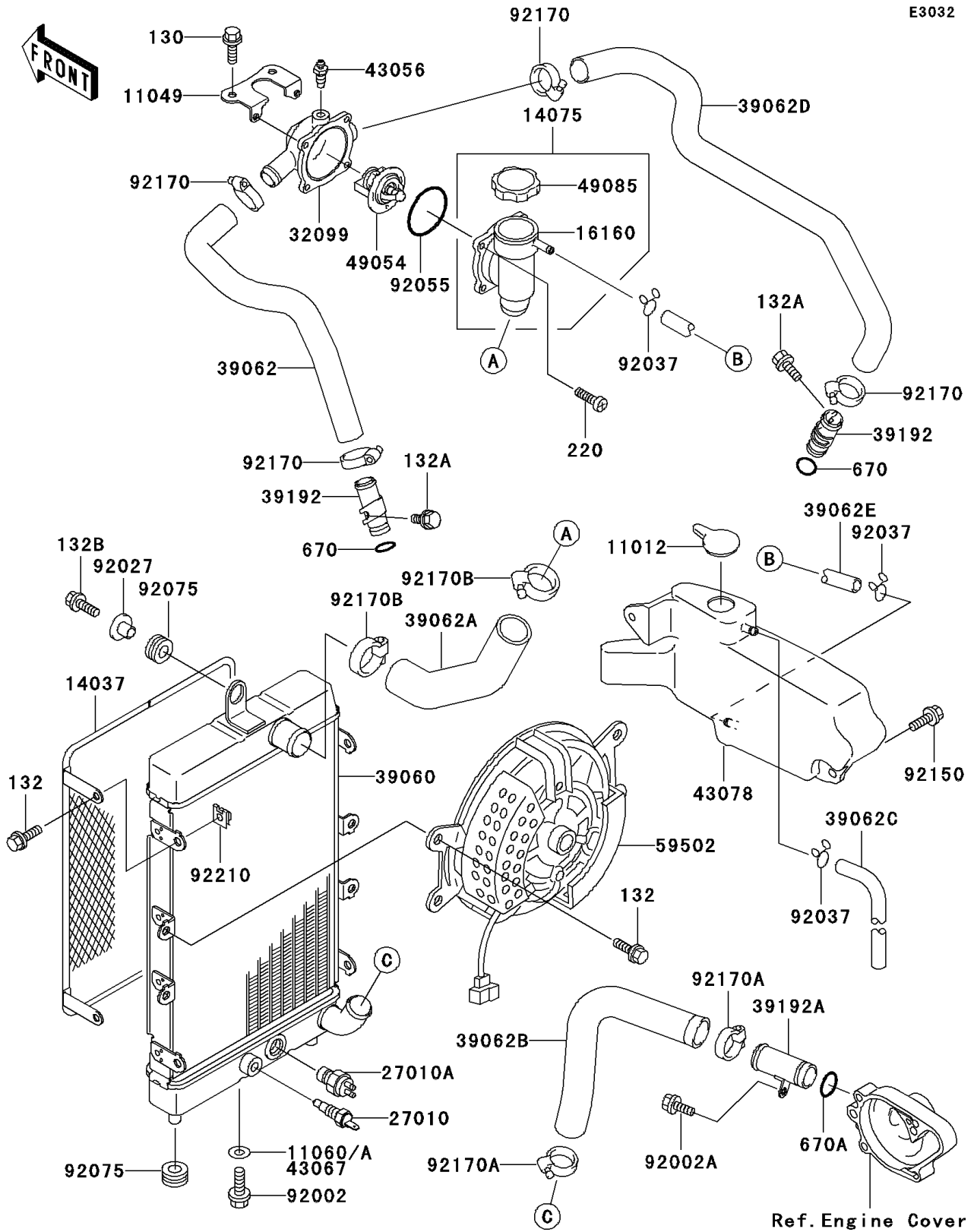


# 1997 Vulcan 1500 Classic PARTS DIAGRAM

Radiator

E3032



# 1997 Vulcan 1500 Classic PARTS LIST

## Radiator

ITEM NAME	PART NUMBER	QUANTITY
BOLT-FLANGED (Ref # 130)	130J0612	2
BOLT-FLANGED-SMALL,6X10 (Ref # 132)	132J0610	8
CAP (Ref # 11012)	11012-1585	1
BRACKET,THERMOSTAT CASE (Ref # 11049)	11049-1541	1
GASKET,DRAIN PLUG (Ref # 11060)	11060-1767	1
SCREEN,RADIATOR (Ref # 14037)	14037-1226	1
CAP-ASSY (Ref # 14075)	14075-1068	1
BODY,THERMOSTAT,UPP (Ref # 16160)	16160-1116	1
SWITCH,WARNING (Ref # 27010)	27010-1305	1
SWITCH,FAN (Ref # 27010A)	27010-1364	1
CASE,THERMOSTAT (Ref # 32099)	32099-1093	1
RADIATOR (Ref # 39060)	39060-1146	1
HOSE-COOLING,HEAD,FR-THERMO (Ref # 39062)	39062-1681	1
HOSE-COOLING,THERMO-RADIATOR (Ref # 39062A)	39062-1696	1
HOSE-COOLING,RADIATOR-PUMP (Ref # 39062B)	39062-1697	1
HOSE-COOLING,OVERFLOW (Ref # 39062C)	39062-1700	1
HOSE-COOLING,HEAD RR-THERMO (Ref # 39062D)	39062-1777	1
HOSE-COOLING,RESERVOIR (Ref # 39062E)	39062-1783	1
PIPE-WATER (Ref # 39192)	39192-1094	2
PIPE-WATER (Ref # 39192A)	39192-1096	1
BREATHER (Ref # 43056)	43056-003	1
RESERVOIR (Ref # 43078)	43078-1153	1
THERMOSTAT (Ref # 49054)	49054-1067	1
CAP-ASSY-PRESSURE (Ref # 49085)	49085-1067	1
FAN-ASSY,RADIATOR (Ref # 59502)	59502-1115	1
BOLT,FLANGED,10X10 (Ref # 92002)	92002-1311	1
BOLT,6X12 (Ref # 92002A)	92002-1569	1
COLLAR,L=13.1,BLACK (Ref # 92027)	92027-1450	1
CLAMP,TUBE (Ref # 92037)	92037-147	3

## 1997 Vulcan 1500 Classic PARTS LIST

### Radiator

ITEM NAME	PART NUMBER	QUANTITY
RING-O,53.5X2.6 (Ref # 92055)	92055-112	1
DAMPER (Ref # 92075)	92075-1690	3
BOLT,6X14 (Ref # 92150)	92150-1392	2
CLAMP,COOLING HOSE (Ref # 92170)	92170-1032	4
CLAMP,COOLING HOSE (Ref # 92170A)	92170-1034	2
CLAMP,COOLING HOSE (Ref # 92170B)	92170-1284	2
NUT (Ref # 92210)	92210-1125	4
BOLT-FLANGED-SMALL (Ref # 132A)	132J0612	2
BOLT-FLANGED-SMALL (Ref # 132B)	132J0625	1
SCREW-PAN-CROS,5X14 (Ref # 220)	220D0514	4
O RING,14MM (Ref # 670)	670B2014	2
O RING,18MM (Ref # 670A)	670B2018	1