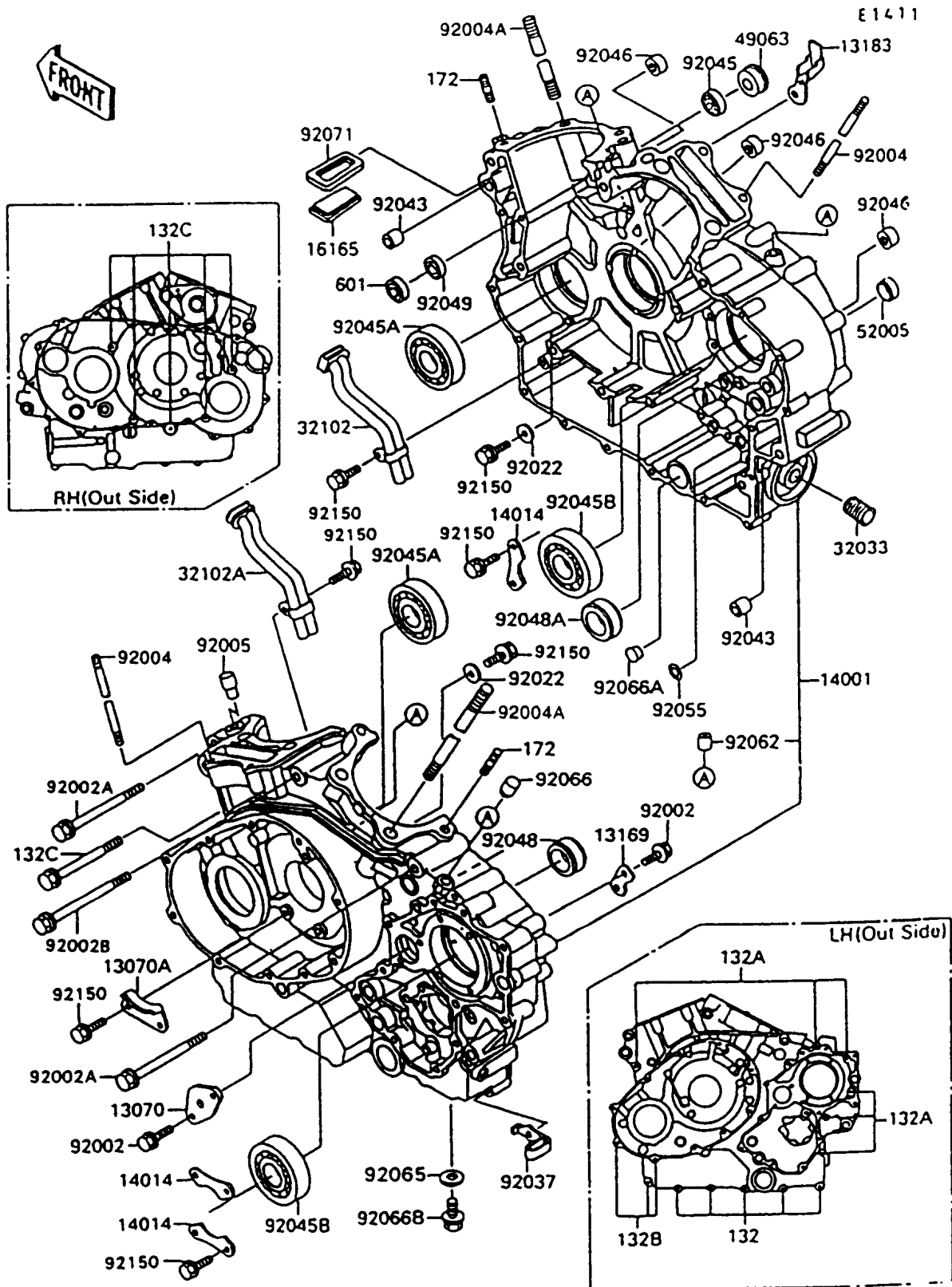


# 1997 Vulcan 1500 L

## PARTS DIAGRAM

### Crankcase



# 1997 Vulcan 1500 L

## PARTS LIST

### Crankcase

| ITEM NAME                            | PART NUMBER | QUANTITY |
|--------------------------------------|-------------|----------|
| BOLT-FLANGED-SMALL (Ref # 132)       | 132E0640    | 5        |
| BOLT-FLANGED-SMALL (Ref # 132A)      | 132E0670    | 6        |
| BOLT-FLANGED-SMALL (Ref # 132B)      | 132E0680    | 3        |
| BOLT-FLANGED-SMALL (Ref # 132C)      | 132E0890    | 6        |
| GUIDE,PUSH ROD (Ref # 13070)         | 13070-1167  | 1        |
| GUIDE,CAM CHAIN (Ref # 13070A)       | 13070-1168  | 2        |
| PLATE,GEAR CHANGE DRUM (Ref # 13169) | 13169-014   | 1        |
| PLATE (Ref # 13183)                  | 13183-1145  | 1        |
| SET-CRANKCASE (Ref # 14001)          | 14001-5232  | 1        |
| PLATE-POSITION (Ref # 14014)         | 14014-1084  | 3        |
| SEPARATOR (Ref # 16165)              | 16165-1058  | 2        |
| PIPE,OIL FILTER (Ref # 32033)        | 32033-1535  | 1        |
| PIPE (Ref # 32102)                   | 32102-1407  | 1        |
| PIPE (Ref # 32102A)                  | 32102-1708  | 1        |
| SEAL-MECHANICAL (Ref # 49063)        | 49063-1052  | 1        |
| GAUGE,OIL LEVEL (Ref # 52005)        | 52005-1009  | 1        |
| BOLT,FLANGED,6X16 (Ref # 92002)      | 92002-1439  | 4        |
| BOLT,10X105 (Ref # 92002A)           | 92002-1897  | 2        |
| BOLT,10X115 (Ref # 92002B)           | 92002-1898  | 1        |
| STUD,8X231 (Ref # 92004)             | 92004-1174  | 4        |
| STUD,12X250 (Ref # 92004A)           | 92004-1225  | 8        |
| FITTING (Ref # 92005)                | 92005-1155  | 1        |
| WASHER,6X19.5X2 (Ref # 92022)        | 92022-1517  | 2        |
| CLAMP (Ref # 92037)                  | 92037-1925  | 1        |
| PIN,11X14X12.3 (Ref # 92043)         | 92043-1266  | 2        |
| BEARING-BALL,6001LLU (Ref # 92045)   | 92045-1151  | 1        |
| BEARING-BALL,63/28 (Ref # 92045A)    | 92045-1189  | 2        |
| BEARING-BALL,6306SH2 (Ref # 92045B)  | 92045-1190  | 2        |
| BEARING-NEEDLE,HK1212 (Ref # 92046)  | 92046-1163  | 3        |

# 1997 Vulcan 1500 L

## PARTS LIST

### Crankcase

| ITEM NAME                               | PART NUMBER | QUANTITY |
|---|-------------|----------|
| RACE (Ref # 92048)                      | 92048-1069  | 1        |
| RACE (Ref # 92048A)                     | 92048-1070  | 1        |
| SEAL-OIL,AC037AE0 (Ref # 92049)         | 92049-1228  | 1        |
| RING-O,13.2X2.4 (Ref # 92055)           | 92055-1373  | 1        |
| NOZZLE,6X8,GREEN (Ref # 92062)          | 92062-1078  | 4        |
| GASKET,12X22X2,DRAIN PLUG (Ref # 92065) | 92065-097   | 1        |
| PLUG,OIL LINE,7.2X8 (Ref # 92066)       | 92066-1012  | 1        |
| PLUG (Ref # 92066A)                     | 92066-1110  | 1        |
| PLUG,OIL DRAIN,12X15 (Ref # 92066B)     | 92066-1174  | 1        |
| GROMMET,SEPARATOR (Ref # 92071)         | 92071-1153  | 2        |
| BOLT,6X12 (Ref # 92150)                 | 92150-1868  | 14       |
| BOLT-STUD,8X25 (Ref # 172)              | 172G0825    | 4        |
| BEARING-BALL (Ref # 601)                | 601A6001    | 1        |