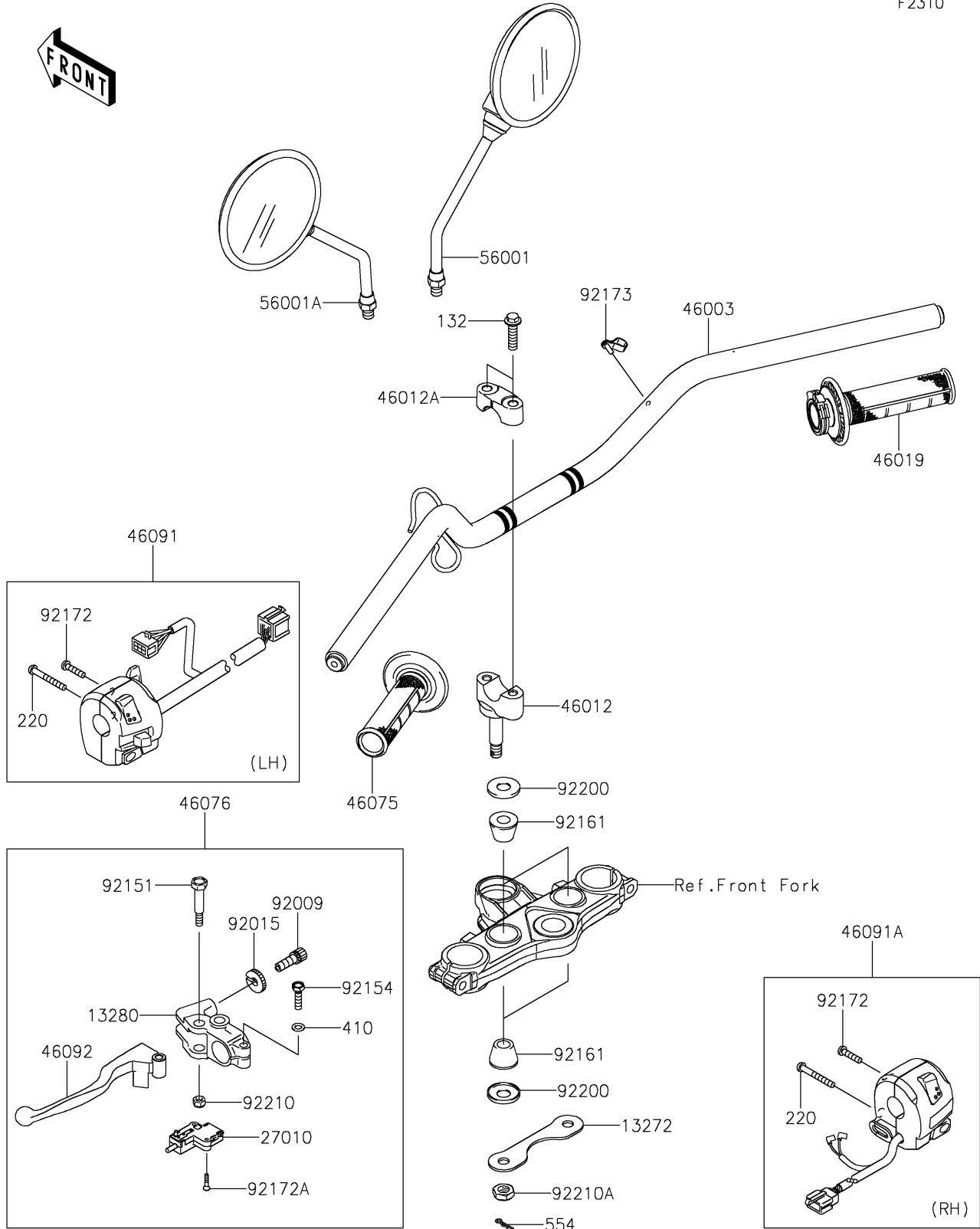


# 2019 KLX®150L PARTS DIAGRAM

Handlebar

F2310



## 2019 KLX®150L PARTS LIST

### Handlebar

| ITEM NAME                                   | PART NUMBER    | QUANTITY |
|---|----------------|----------|
| PLATE (Ref # 13272)                         | 13272-0795     | 1        |
| HOLDER,CLUTCH LEVER (Ref # 13280)           | 13280-0105     | 1        |
| SWITCH,CLUTCH (Ref # 27010)                 | 27010-0729     | 1        |
| HANDLE,P.SILVER (Ref # 46003)               | 46003-0667-458 | 1        |
| HOLDER-HANDLE,LWR,P.SILVER (Ref # 46012)    | 46012-0075-458 | 2        |
| HOLDER-HANDLE,UPP,P.SILVER (Ref # 46012A)   | 46012-0380-458 | 2        |
| GRIP-ASSY,THROTTLE (Ref # 46019)            | 46019-0026     | 1        |
| GRIP,LH (Ref # 46075)                       | 46075-0587     | 1        |
| LEVER-ASSY-GRIP,CLUTCH (Ref # 46076)        | 46076-0148     | 1        |
| HOUSING-ASSY-CONTROL,LH (Ref # 46091)       | 46091-0306     | 1        |
| HOUSING-ASSY-CONTROL,RH (Ref # 46091A)      | 46091-0310     | 1        |
| LEVER-GRIP,CLUTCH (Ref # 46092)             | 46092-0050     | 1        |
| MIRROR-ASSY,RH (Ref # 56001)                | 56001-0166     | 1        |
| MIRROR-ASSY,LH (Ref # 56001A)               | 56001-0169     | 1        |
| SCREW,CABLE ADJUST,8MM,BLACK (Ref # 92009)  | 92009-1134     | 1        |
| NUT,CABLE ADJUST LOCK,8MM,BLK (Ref # 92015) | 92015-1197     | 1        |
| BOLT,LEVER SET (Ref # 92151)                | 92151-1986     | 1        |
| BOLT,UPSET,6X22 (Ref # 92154)               | 92154-1422     | 1        |
| DAMPER,HANDLE HOLDER (Ref # 92161)          | 92161-0632     | 4        |
| SCREW-PAN-CROS,5X22 (Ref # 92172)           | 92172-0469     | 2        |
| SCREW-CSK-CROS,3X16 (Ref # 92172A)          | 92172-1187     | 2        |
| CLAMP,SPEED,L=58 (Ref # 92173)              | 92173-1077     | 1        |
| WASHER,12.5X27.6X1.2 (Ref # 92200)          | 92200-0872     | 4        |
| NUT,LOCK,6MM (Ref # 92210)                  | 92210-1551     | 1        |
| NUT,LOCK,10MM (Ref # 92210A)                | 92210-1672     | 2        |
| BOLT-FLANGED-SMALL,8X30 (Ref # 132)         | 132BC0830      | 4        |
| SCREW-PAN-CROS,5X40 (Ref # 220)             | 220AB0540      | 2        |
| WASHER-PLAIN-SMALL,6MM (Ref # 410)          | 410AB0600      | 1        |
| PIN-SNAP (Ref # 554)                        | 554DA0800      | 2        |