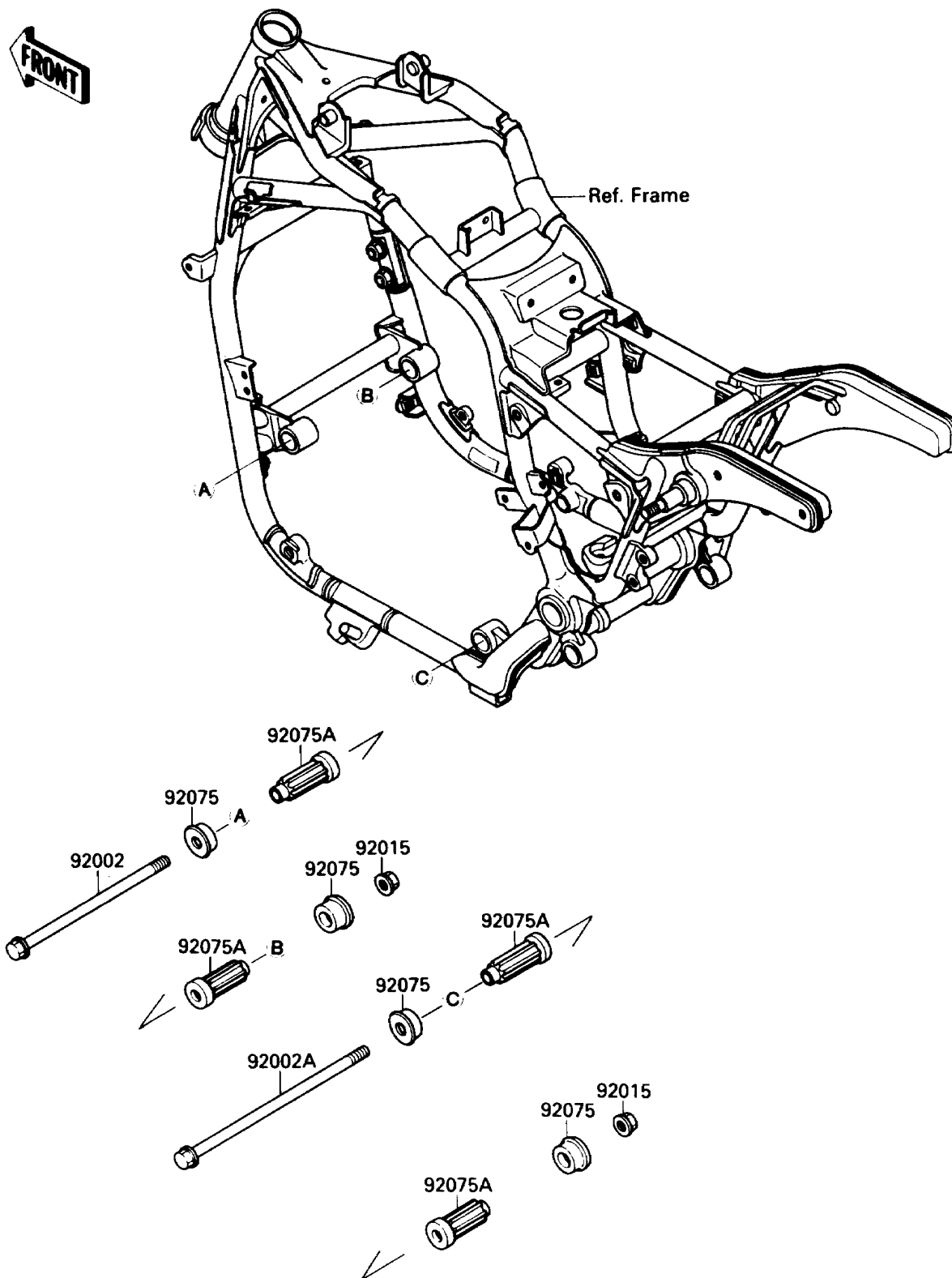


1987 Vulcan 88 SE PARTS DIAGRAM

Frame Fittings

F2131-0253



1987 Vulcan 88 SE PARTS LIST

Frame Fittings

ITEM NAME	PART NUMBER	QUANTITY
BOLT,FLANGED,10X285 (Ref # 92002)	92002-1206	1
BOLT,FLANGED,10X330 (Ref # 92002A)	92002-1540	1
NUT,FLANGED,10MM (Ref # 92015)	92015-1180	1
DAMPER,ENGINE BRACKET (Ref # 92075)	92075-1738	1
DAMPER,ENGINE MOUNT,MAIN (Ref # 92075A)	92075-1739	1