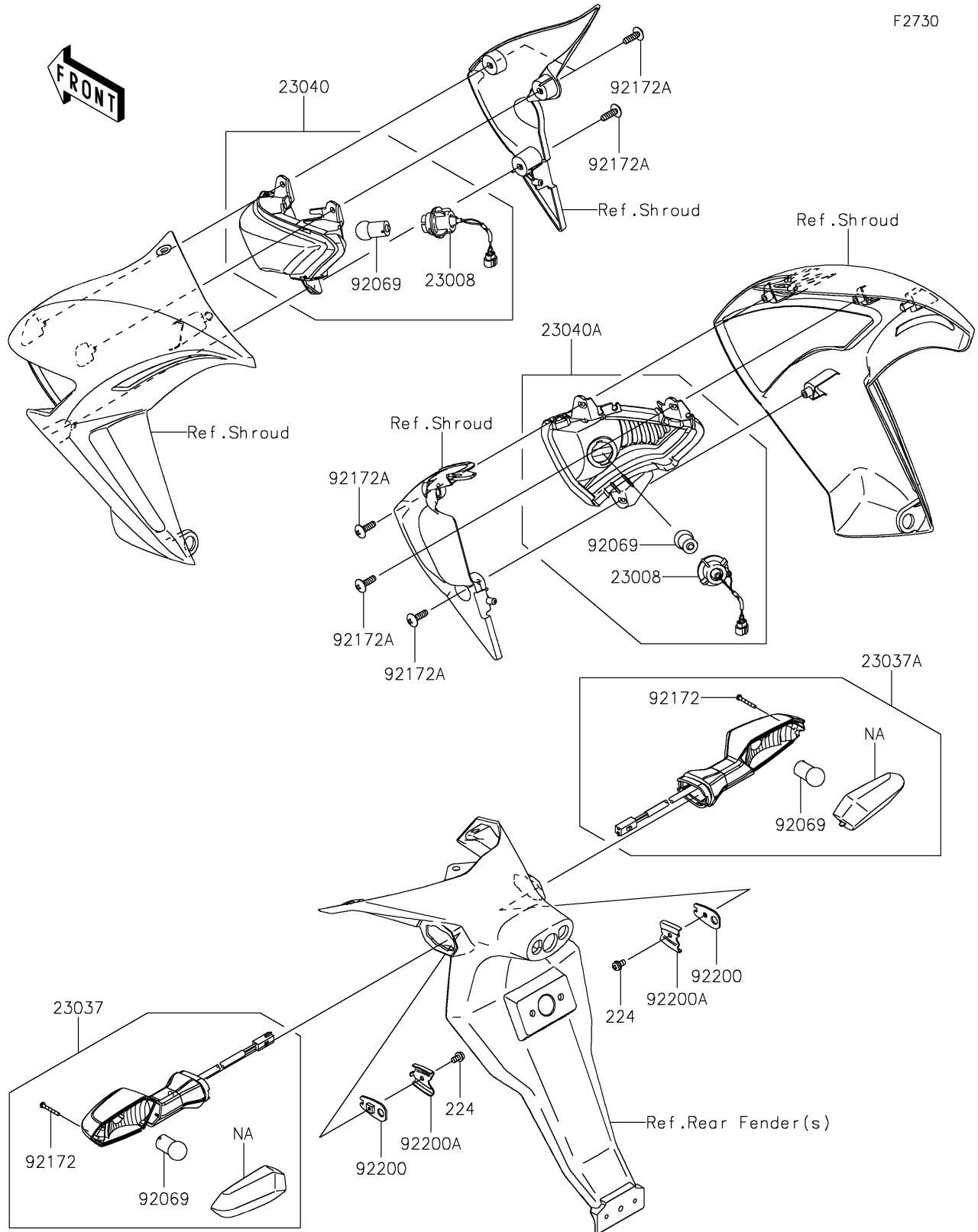


# 2009 ER-6n

## PARTS DIAGRAM

### Turn Signals



# 2009 ER-6n

## PARTS LIST

### Turn Signals

| ITEM NAME                                | PART NUMBER | QUANTITY |
|--|-------------|----------|
| SOCKET-ASSY,SIGNAL LAMP,FR (Ref # 23008) | 23008-0101  | 2        |
| LAMP-ASSY-SIGNAL,RR,LH (Ref # 23037)     | 23037-0161  | 1        |
| LAMP-ASSY-SIGNAL,RR,RH (Ref # 23037A)    | 23037-0162  | 1        |
| LAMP-SIGNAL,FR,LH (Ref # 23040)          | 23040-0097  | 1        |
| LAMP-SIGNAL,FR,RH (Ref # 23040A)         | 23040-0098  | 1        |
| BULB,12V 10W (Ref # 92069)               | 92069-0024  | 4        |
| SCREW,2.9X22 (Ref # 92172)               | 92172-0395  | 2        |
| SCREW,TAPPING,5X16 (Ref # 92172A)        | 92172-0427  | 6        |
| WASHER,SIGNAL LAMP (Ref # 92200)         | 92200-0164  | 2        |
| WASHER,SIGNAL LAMP (Ref # 92200A)        | 92200-0165  | 2        |
| SCREW-PAN-WP-CROS,4X8 (Ref # 224)        | 224AB0408   | 2        |