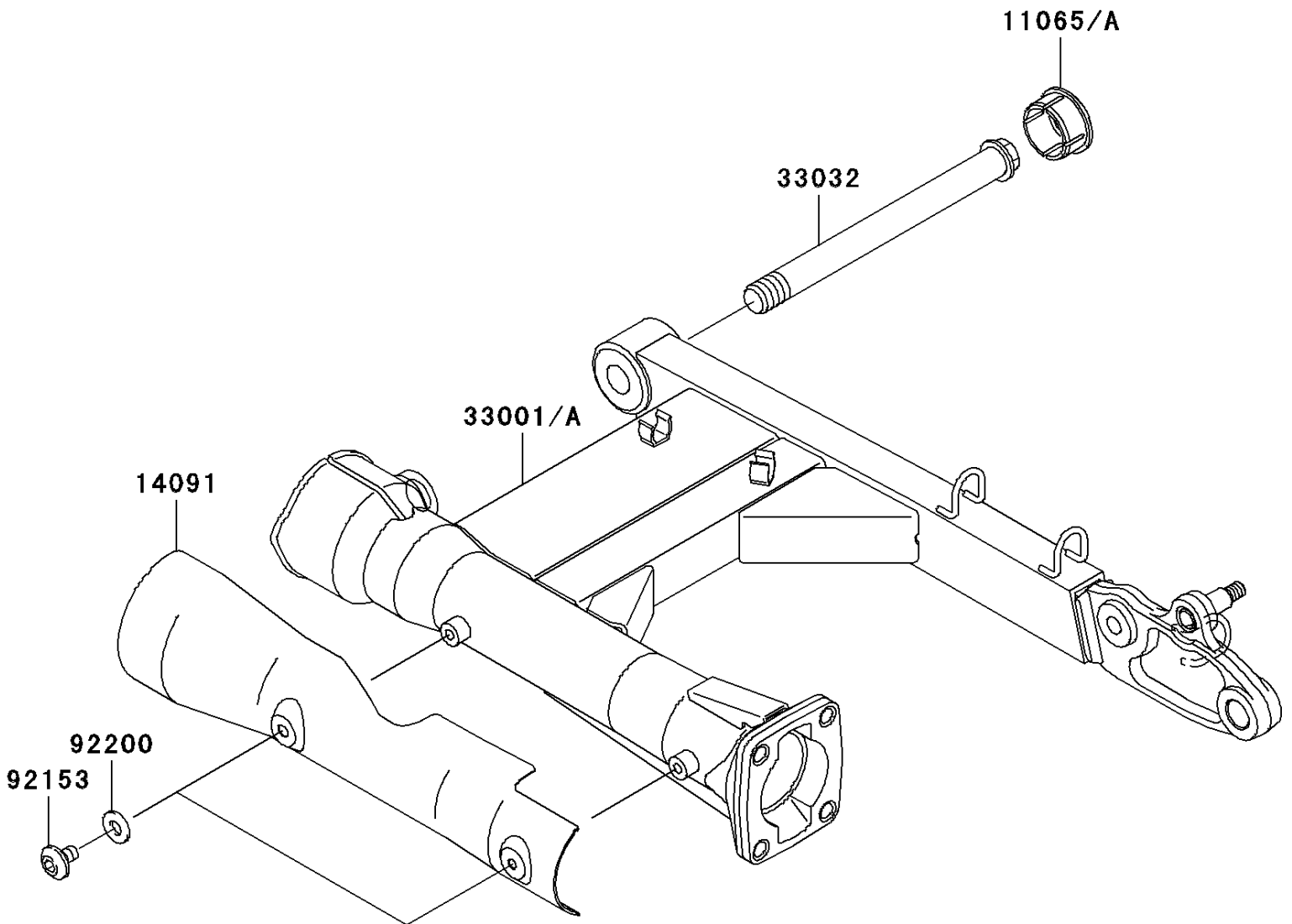


2008 Vulcan® 1600 Classic PARTS DIAGRAM

Swingarm

F2141



2008 Vulcan® 1600 Classic PARTS LIST

Swingarm

ITEM NAME	PART NUMBER	QUANTITY
CAP,SWING ARM (Ref # 11065)	11065-0243	1
COVER,SWING ARM (Ref # 14091)	14091-0060	1
ARM-COMP-SWING (Ref # 33001A)	33001-0140	1
SHAFT-SWING ARM (Ref # 33032)	33032-1181	1
BOLT,SOCKET,6X10 (Ref # 92153)	92153-0411	2
WASHER,6.5X14.5X1.5 (Ref # 92200)	92200-3775	2