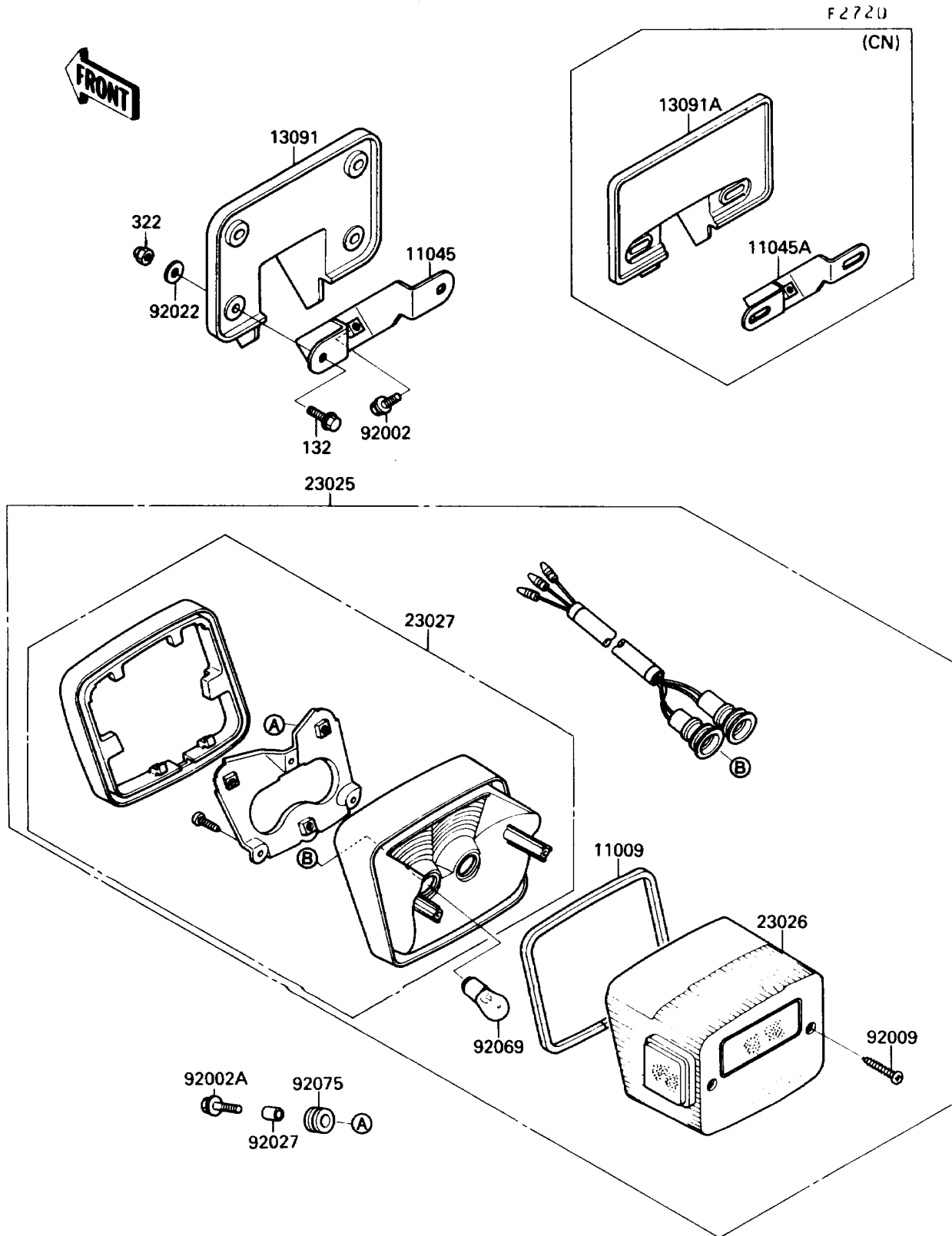


1987 Vulcan 88 PARTS DIAGRAM

Tail Lamp



1987 Vulcan 88 PARTS LIST

Tail Lamp

ITEM NAME	PART NUMBER	QUANTITY
GASKET,TAIL LAMP LENS (Ref # 11009)	11009-1660	1
BRACKET,LICENSE PLATE (Ref # 11045)	11045-1582	1
BRACKET,LICENSE PLATE (Ref # 11045A)	11045-1583	1
HOLDER,LICENSE PLATE (Ref # 13091)	13091-1480	1
HOLDER,LICENSE PLATE (Ref # 13091A)	13091-1481	1
LAMP-TAIL (Ref # 23025)	23025-1165	1
LENS,TAIL LAMP (Ref # 23026)	23026-1087	1
BODY-COMP-TAIL LAMP (Ref # 23027)	23027-1084	1
BOLT,6X14 (Ref # 92002)	92002-1218	1
BOLT,6X22 (Ref # 92002A)	92002-1262	1
SCREW,TAPPING,4X25 (Ref # 92009)	92009-1069	1
WASHER,6.5X20X1.6,BLACK (Ref # 92022)	92022-1346	1
COLLAR,6.8X10X12 (Ref # 92027)	92027-162	1
BULB,12V 27/8W (Ref # 92069)	92069-059	1
DAMPER (Ref # 92075)	92075-209	1
BOLT-FLANGED-SMALL (Ref # 132)	132J0614	1
NUT-CAP,6MM,BLACK (Ref # 322)	322C0600	1