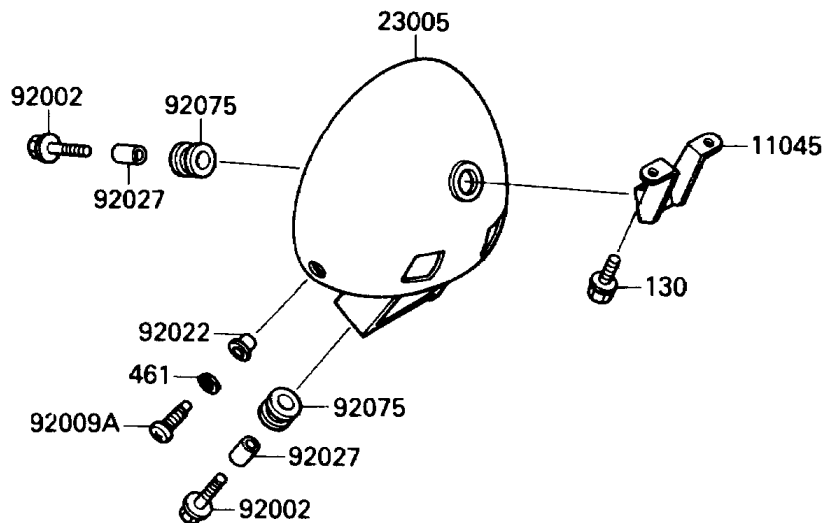
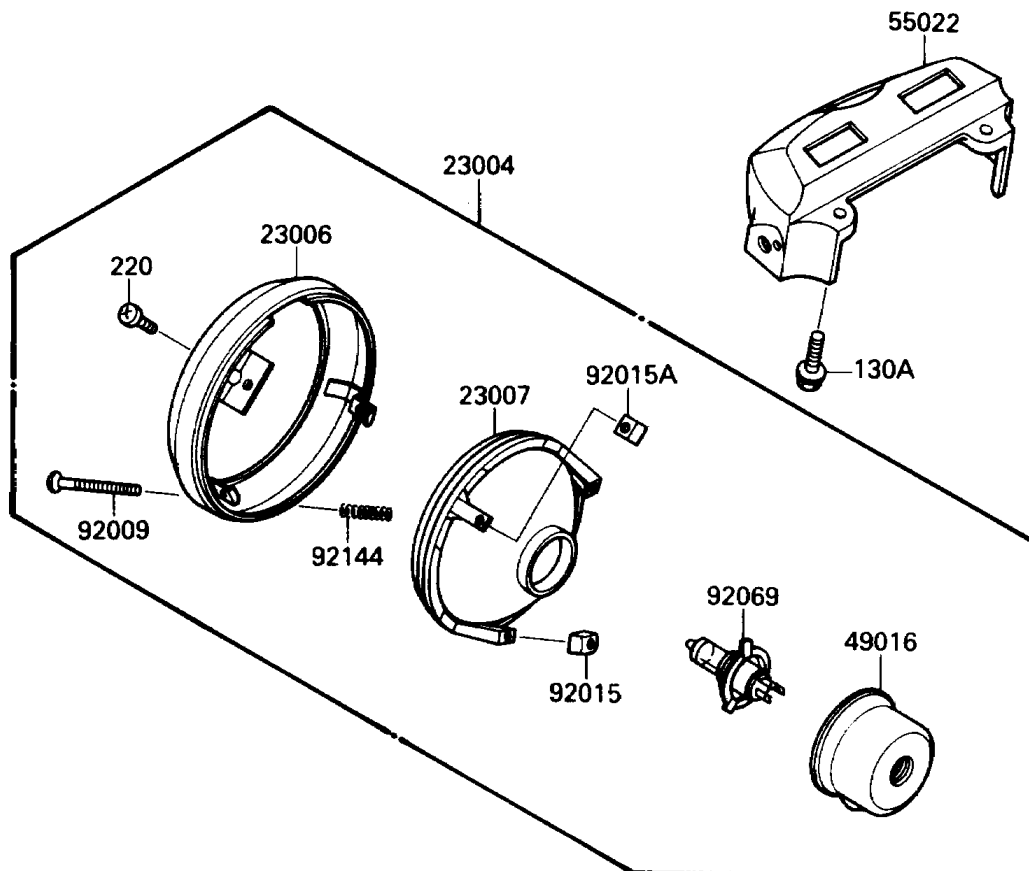


1989 Vulcan 88 PARTS DIAGRAM

Head Lamp

F2710-0282



1989 Vulcan 88 PARTS LIST

Head Lamp

| ITEM NAME | PART NUMBER | QUANTITY |
|---|-------------|----------|
| BRACKET,HEAD LAMP (Ref # 11045) | 11045-1598 | 1 |
| LAMP-HEAD (Ref # 23004) | 23004-1221 | 1 |
| BODY-COMP-HEAD LAMP (Ref # 23005) | 23005-1086 | 1 |
| RIM-LAMP (Ref # 23006) | 23006-1059 | 1 |
| LENS-COMP,HEAD LAMP (Ref # 23007) | 23007-1169 | 1 |
| COVER-SEAL,HEAD LAMP SOCKET (Ref # 49016) | 49016-1129 | 1 |
| COVER-HEAD LAMP (Ref # 55022) | 55022-1059 | 1 |
| BOLT,6X25 (Ref # 92002) | 92002-1135 | 1 |
| SCREW,FOCUS ADJUST,4X65 (Ref # 92009) | 92009-1472 | 1 |
| SCREW,5MM (Ref # 92009A) | 92011-024 | 1 |
| NUT,4MM,FOCUS ADJUST (Ref # 92015) | 23020-018 | 1 |
| NUT,5MM (Ref # 92015A) | 92015-1157 | 1 |
| WASHER (Ref # 92022) | 23021-010 | 1 |
| COLLAR,6.8X10X14.5 (Ref # 92027) | 92027-156 | 1 |
| BULB,12V 60/55W,H4 (Ref # 92069) | 92069-1002 | 1 |
| DAMPER (Ref # 92075) | 92075-1035 | 1 |
| SPRING,FOCUS ADJUST (Ref # 92144) | 92144-1149 | 1 |
| BOLT-FLANGED (Ref # 130) | 130D0612 | 1 |
| BOLT-FLANGED (Ref # 130A) | 130N0825 | 1 |
| SCREW-PAN-CROS,5X12 (Ref # 220) | 220D0512 | 1 |
| WASHER-SPRING,5MM (Ref # 461) | 461F0500 | 1 |