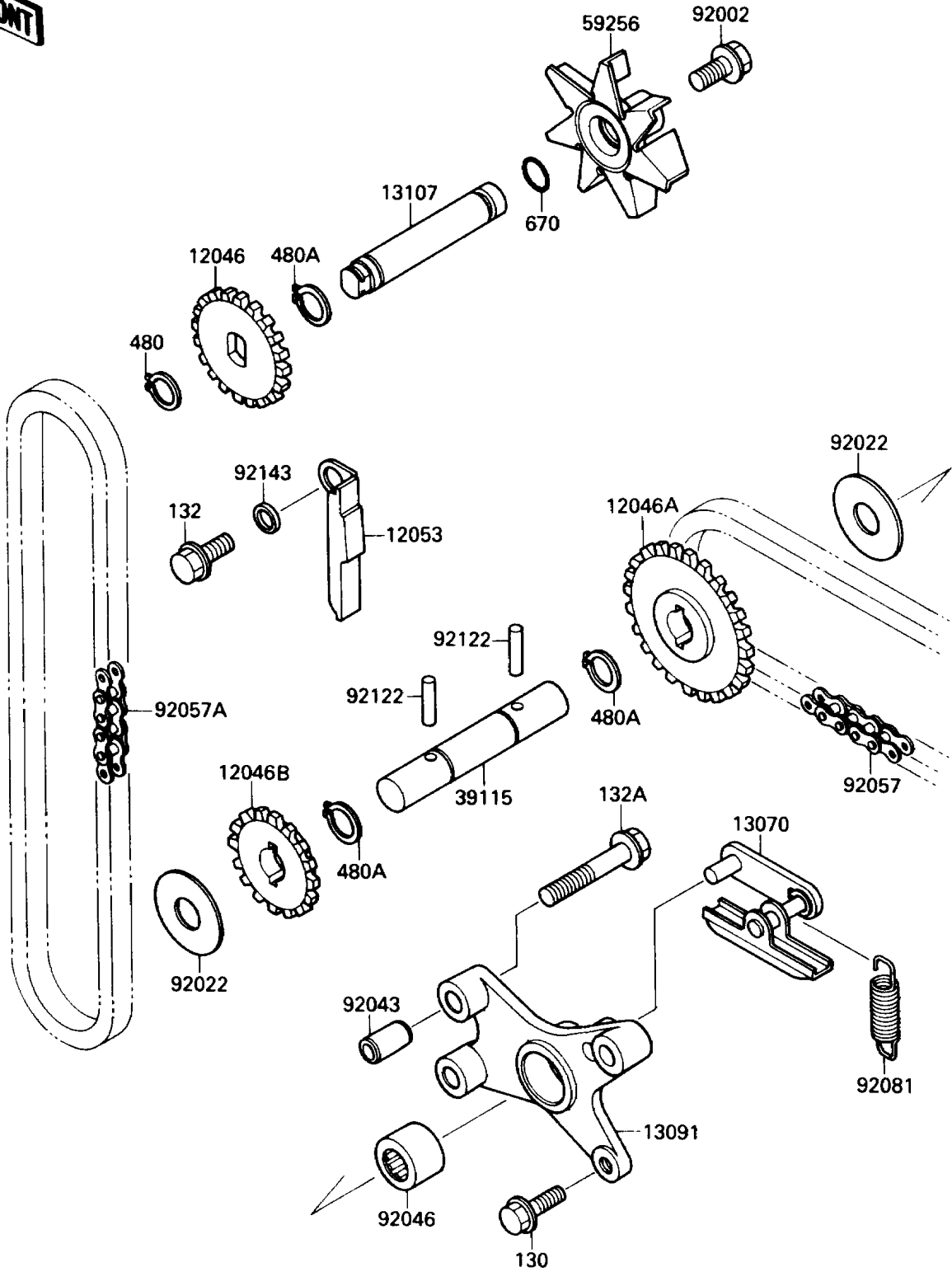


# 1991 Vulcan 88 PARTS DIAGRAM

Water Pump

E1830-0271



# 1991 Vulcan 88 PARTS LIST

## Water Pump

| ITEM NAME                               | PART NUMBER | QUANTITY |
|---|-------------|----------|
| SPROCKET,OIL PUMP,19T (Ref # 12046)     | 12046-1079  | 1        |
| SPROCKET,CRANK IDLER,25T (Ref # 12046A) | 12046-1096  | 1        |
| SPROCKET,IDLER,17T (Ref # 12046B)       | 12046-1097  | 1        |
| GUIDE-CHAIN (Ref # 12053)               | 12053-1227  | 1        |
| GUIDE (Ref # 13070)                     | 13070-1178  | 1        |
| HOLDER (Ref # 13091)                    | 13091-1471  | 1        |
| SHAFT,IMPELLER (Ref # 13107)            | 13107-1196  | 1        |
| SHAFT-IDLER (Ref # 39115)               | 39115-1058  | 1        |
| IMPELLER (Ref # 59256)                  | 59256-1066  | 1        |
| BOLT,6X12 (Ref # 92002)                 | 92002-1902  | 1        |
| WASHER,12X27.5X1.0 (Ref # 92022)        | 92022-1852  | 2        |
| PIN,6.2X8X14 (Ref # 92043)              | 92043-1263  | 2        |
| BEARING-NEEDLE,HK1212 (Ref # 92046)     | 92046-1163  | 1        |
| CHAIN,BS25HX46L (Ref # 92057)           | 92057-1230  | 1        |
| CHAIN,BS25HX44L (Ref # 92057A)          | 92057-1231  | 1        |
| SPRING,IDLER SHAFT (Ref # 92081)        | 92081-1791  | 1        |
| ROLLER,3X15.8 (Ref # 92122)             | 92122-1126  | 2        |
| COLLAR (Ref # 92143)                    | 92143-1123  | 1        |
| BOLT-FLANGED (Ref # 130)                | 130D0514    | 1        |
| BOLT-FLANGED-SMALL (Ref # 132)          | 132E0612    | 1        |
| BOLT-FLANGED-SMALL (Ref # 132A)         | 132E0635    | 3        |
| CIRCLIP-TYPE-C,11MM (Ref # 480)         | 480J1100    | 1        |
| CIRCLIP-TYPE-C,12MM (Ref # 480A)        | 480J1200    | 3        |
| O RING,9MM (Ref # 670)                  | 670D1509    | 1        |