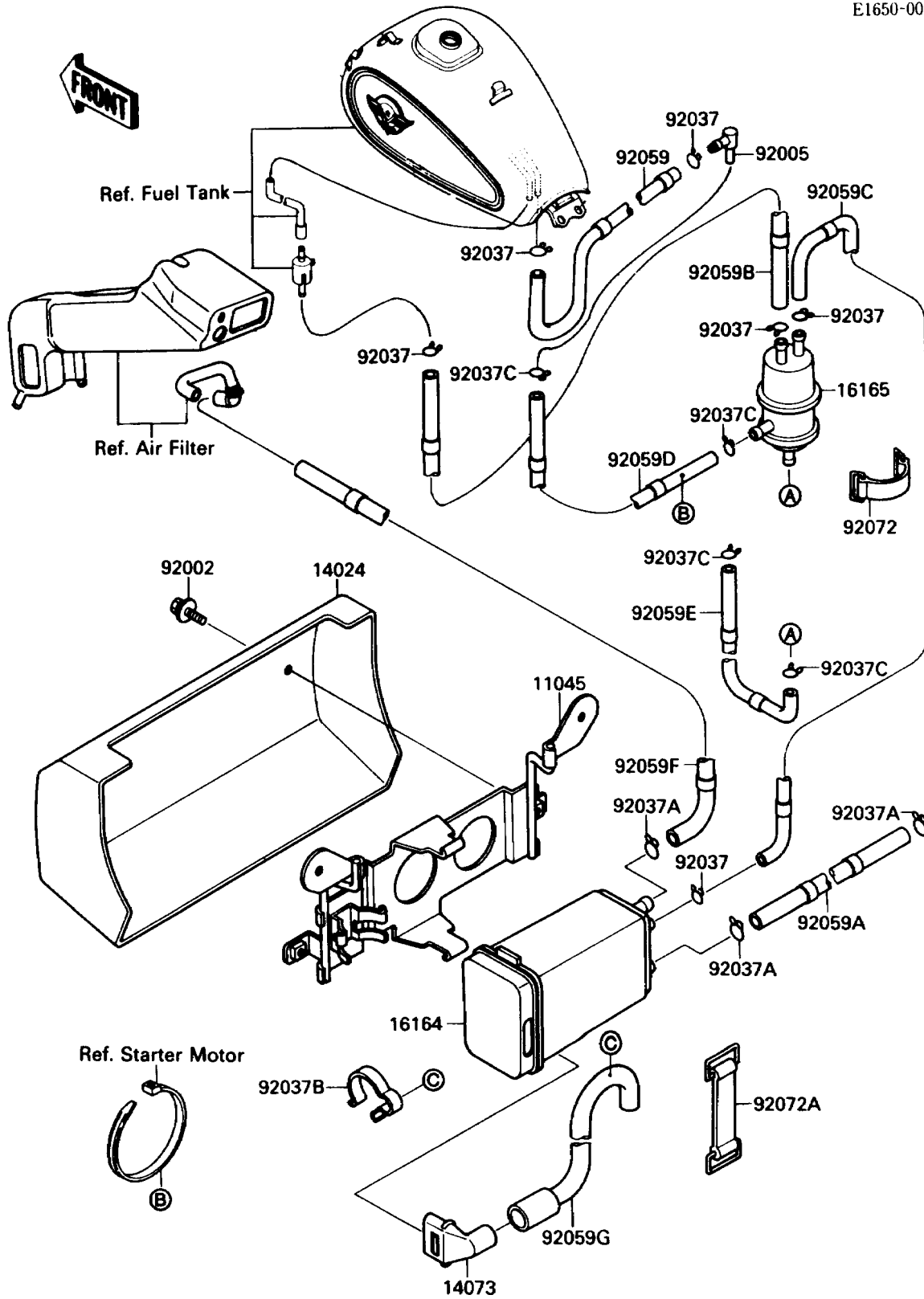


1987 Vulcan 88 PARTS DIAGRAM

Canister

E1650-0026



1987 Vulcan 88 PARTS LIST

Canister

| ITEM NAME | PART NUMBER | QUANTITY |
|---|-------------|----------|
| BRACKET,CANISTER (Ref # 11045) | 11045-1930 | 1 |
| COVER,CANISTER (Ref # 14024) | 14024-1546 | 1 |
| DUCT,CANISTER (Ref # 14073) | 14073-1219 | 1 |
| CANISTER (Ref # 16164) | 16164-1070 | 1 |
| SEPARATOR (Ref # 16165) | 16165-1001 | 1 |
| BOLT,6X14 (Ref # 92002) | 92002-1108 | 2 |
| FITTING (Ref # 92005) | 92005-1138 | 1 |
| CLAMP,TUBE (Ref # 92037) | 92037-010 | 6 |
| CLAMP,HOSE (Ref # 92037A) | 92037-1104 | 3 |
| CLAMP,HOSE (Ref # 92037B) | 92037-1689 | 1 |
| CLAMP (Ref # 92037C) | 92037-1712 | 4 |
| TUBE,5X8X270,RED (Ref # 92059) | 92059-1401 | 1 |
| TUBE,7X12X940,YELLOW (Ref # 92059A) | 92059-1414 | 1 |
| TUBE,5X8X1100,BLUE (Ref # 92059B) | 92059-1442 | 1 |
| TUBE,CANISTER-SEPARATOR,BLUE (Ref # 92059C) | 92059-1867 | 1 |
| TUBE,5X10X1100,RED (Ref # 92059D) | 92059-1870 | 1 |
| TUBE,4X9X1087,WHITE (Ref # 92059E) | 92059-1871 | 1 |
| TUBE,7X12X945,GREEN (Ref # 92059F) | 92059-1872 | 1 |
| TUBE,CANISTER (Ref # 92059G) | 92059-1876 | 1 |
| BAND,L=50 (Ref # 92072) | 92072-066 | 1 |
| BAND,L=100 (Ref # 92072A) | 92072-071 | 1 |