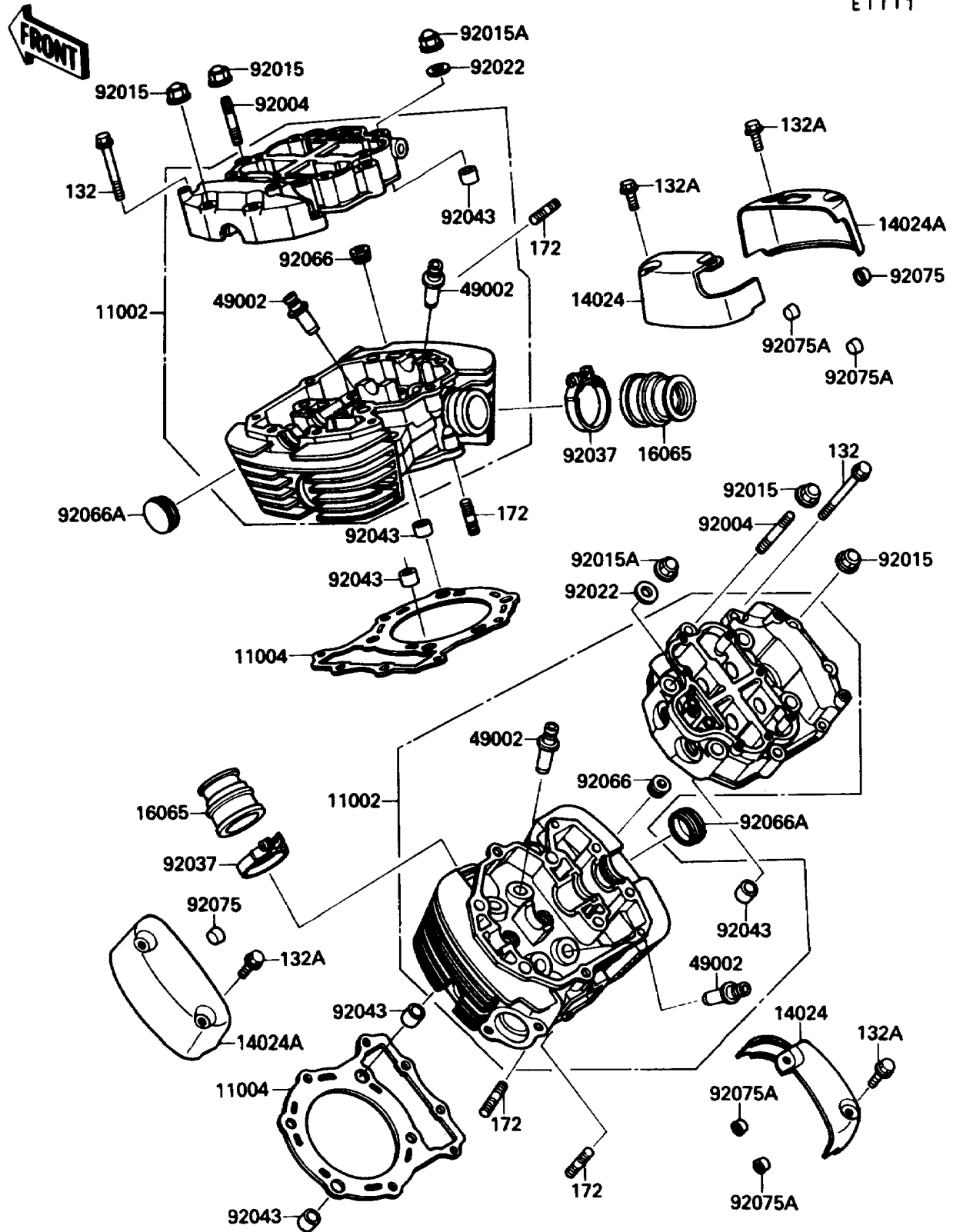


1987 Vulcan 88 PARTS DIAGRAM

Cylinder Head

E1111



1987 Vulcan 88 PARTS LIST

Cylinder Head

ITEM NAME	PART NUMBER	QUANTITY
HEAD-ASSY-CYLINDER (Ref # 11002)	11002-1229	1
GASKET-HEAD (Ref # 11004)	11004-1161	1
COVER,ROCKER (Ref # 14024)	14024-1570	1
COVER,ROCKER (Ref # 14024A)	14024-1617	1
HOLDER-CARBURETOR (Ref # 16065)	16065-1153	1
GUIDE-VALVE (Ref # 49002)	49002-1088	1
STUD,8X51.5 (Ref # 92004)	92004-1173	1
NUT,CAP,8MM (Ref # 92015)	92015-1371	1
NUT,CAP,12MM (Ref # 92015A)	92015-1648	1
WASHER,12.3X25X3.2 (Ref # 92022)	92022-1862	1
CLAMP (Ref # 92037)	92037-1632	1
PIN,DOWEL,13X16X14 (Ref # 92043)	92043-1349	1
PLUG (Ref # 92066)	92066-1253	1
PLUG (Ref # 92066A)	92066-1289	1
DAMPER (Ref # 92075)	92075-1995	1
DAMPER (Ref # 92075A)	92075-1996	1
BOLT-FLANGED-SMALL (Ref # 132)	132E06115	1
BOLT-FLANGED-SMALL (Ref # 132A)	132E0612	1
BOLT-STUD,8X25 (Ref # 172)	172G0825	1