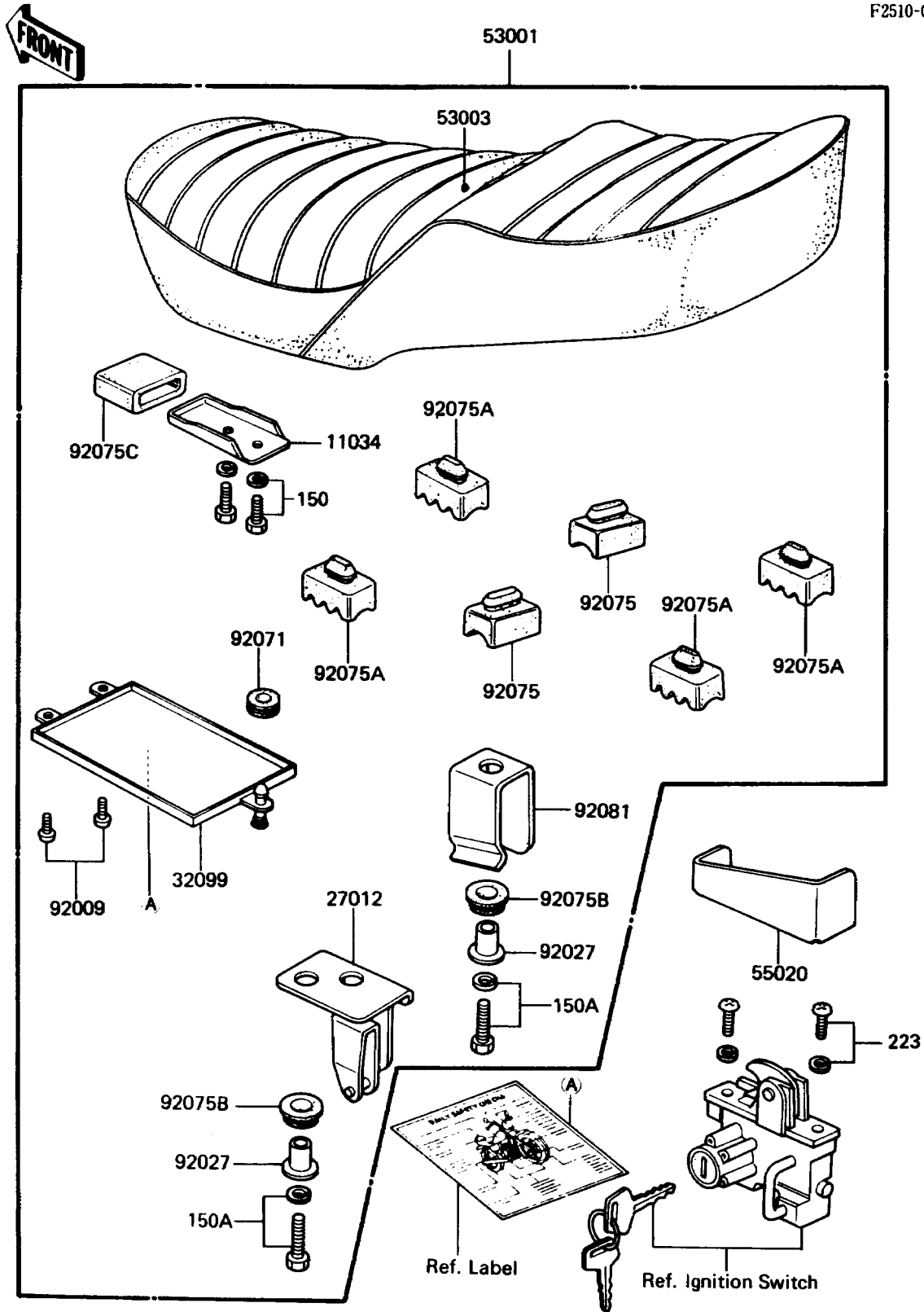


1988 LTD PARTS DIAGRAM

Seat

F2510-0005



1988 LTD PARTS LIST

Seat

ITEM NAME	PART NUMBER	QUANTITY
BRACKET,SEAT (Ref # 11034)	11034-1135	1
HOOK,SEAT (Ref # 27012)	27012-1015	1
CASE,MANUAL (Ref # 32099)	32099-011	1
SEAT-ASSY,DUAL (Ref # 53001)	53001-1251	1
LEATHER,SEAT (Ref # 53003)	53003-1020	1
GUARD,SEAT (Ref # 55020)	55020-1042	1
SCREW,TAPPING,5X8 (Ref # 92009)	92009-1043	2
COLLAR,L=12 (Ref # 92027)	92027-1062	3
GROMMET (Ref # 92071)	92071-056	1
DAMPER (Ref # 92075)	92075-099	2
DAMPER (Ref # 92075A)	92075-1007	4
DAMPER,RUBBER (Ref # 92075B)	92075-1123	3
DAMPER,SEAT (Ref # 92075C)	92075-219	1
SPRING,SEAT (Ref # 92081)	92081-1205	1
BOLT-WS (Ref # 150)	150B0612	2
BOLT-WS,6X25 (Ref # 150A)	150B0625	3
SCREW-PAN-WS-CROS (Ref # 223)	223B0614	2