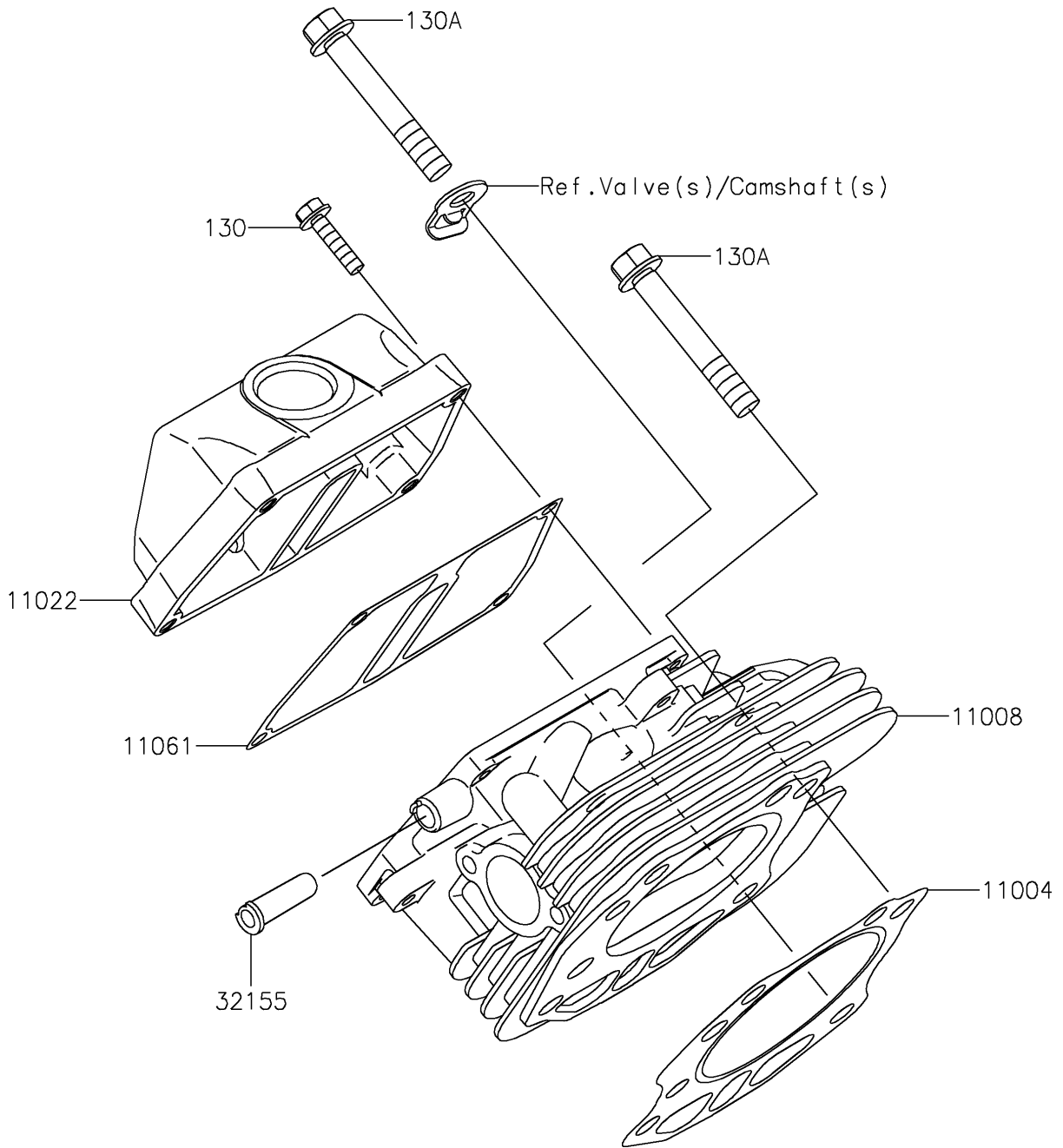


# 2020 MULE SX™ PARTS DIAGRAM

Cylinder Head

E1111



## 2020 MULE SX™ PARTS LIST

### Cylinder Head

| ITEM NAME                        | PART NUMBER | QUANTITY |
|----------------------------------|-------------|----------|
| GASKET-HEAD (Ref # 11004)        | 11004-7017  | 1        |
| HEAD-COMP-CYLINDER (Ref # 11008) | 11008-7033  | 1        |
| CASE-ROCKER (Ref # 11022)        | 11022-0045  | 1        |
| GASKET,CASE-ROCKER (Ref # 11061) | 11061-1325  | 1        |
| PIPE,HEAD-CYLINDER (Ref # 32155) | 32155-2213  | 1        |
| BOLT-FLANGED,6X25 (Ref # 130)    | 130BA0625   | 4        |
| BOLT-FLANGED,10X65 (Ref # 130A)  | 130CA1065   | 4        |