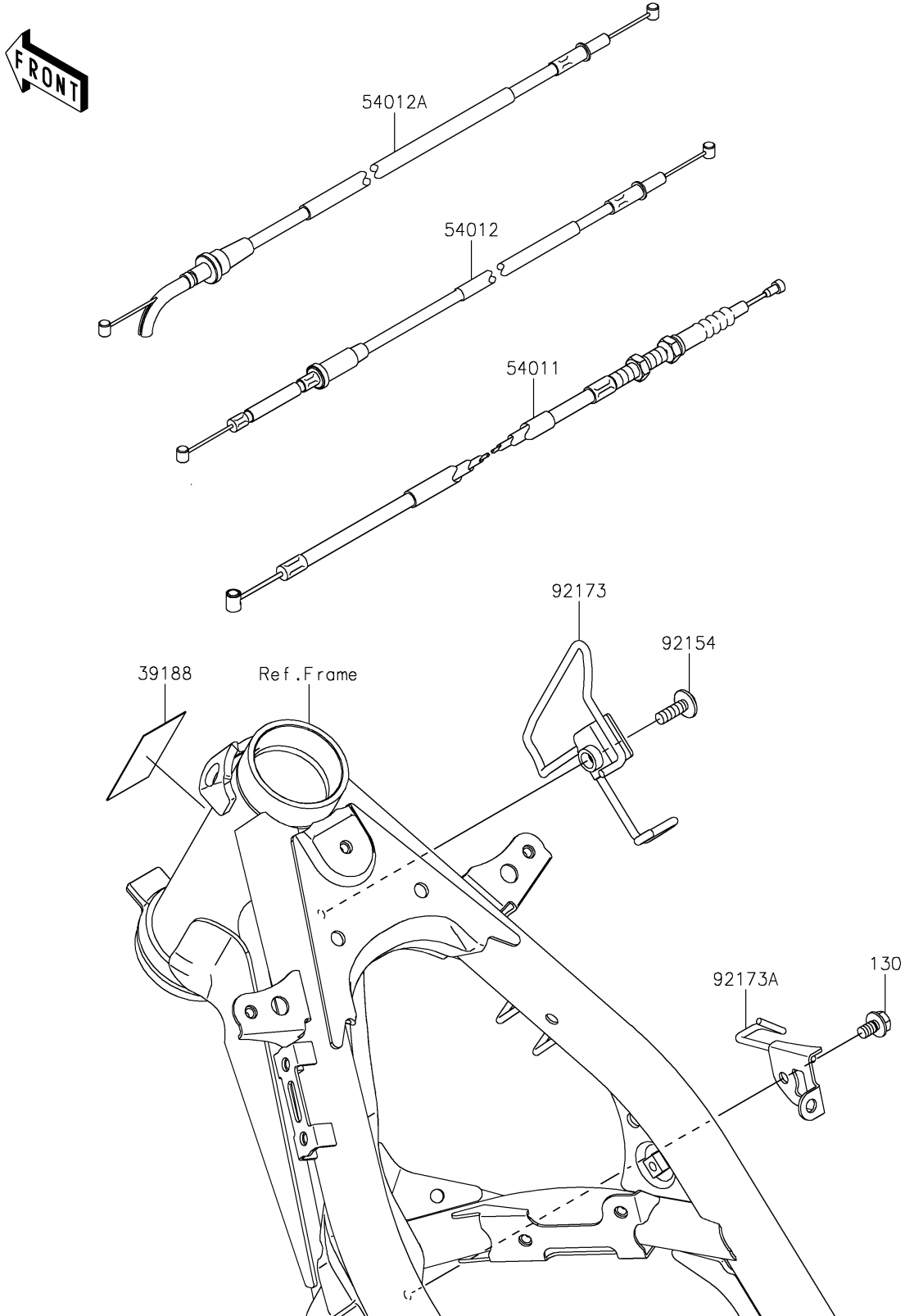


2022 KLX® 230 PARTS DIAGRAM

Cables

F2540



2022 KLX® 230 PARTS LIST

Cables

| ITEM NAME | PART NUMBER | QUANTITY |
|-------------------------------------|-------------|----------|
| TAPE,30X60X0.36 (Ref # 39188) | 39188-0581 | 1 |
| CABLE-CLUTCH (Ref # 54011) | 54011-0639 | 1 |
| CABLE-THROTTLE,RETURN (Ref # 54012) | 54012-0689 | 1 |
| CABLE-THROTTLE,PULL (Ref # 54012A) | 54012-0710 | 1 |
| BOLT,SOCKET,6X18 (Ref # 92154) | 92154-1291 | 1 |
| CLAMP (Ref # 92173) | 92173-2046 | 1 |
| CLAMP (Ref # 92173A) | 92173-2243 | 1 |
| BOLT-FLANGED,6X10 (Ref # 130) | 130BA0610 | 1 |