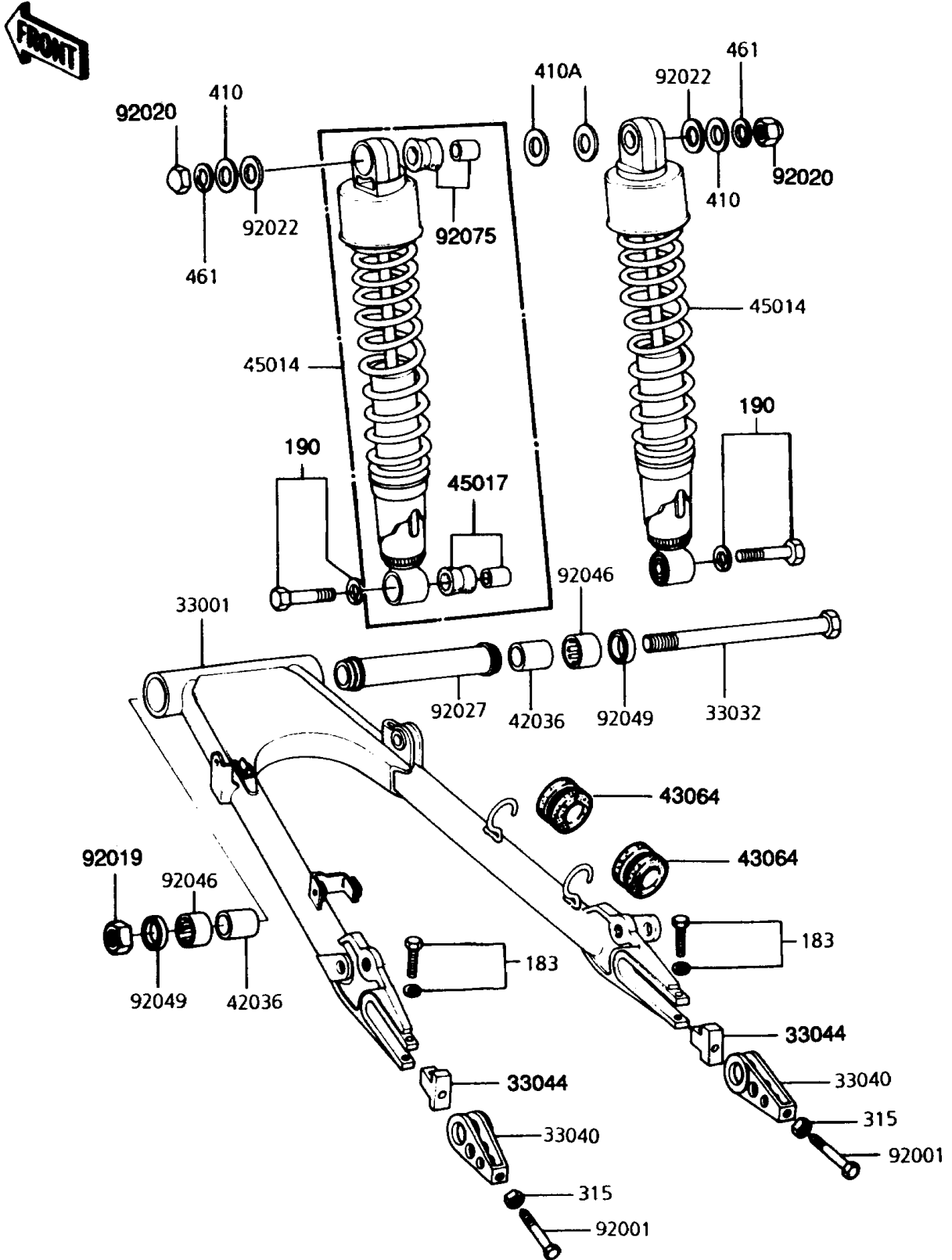


1993 Police 1000 PARTS DIAGRAM

Swingarm/Shock Absorber



1993 Police 1000 PARTS LIST

Swingarm/Shock Absorber

ITEM NAME	PART NUMBER	QUANTITY
-----------	-------------	----------