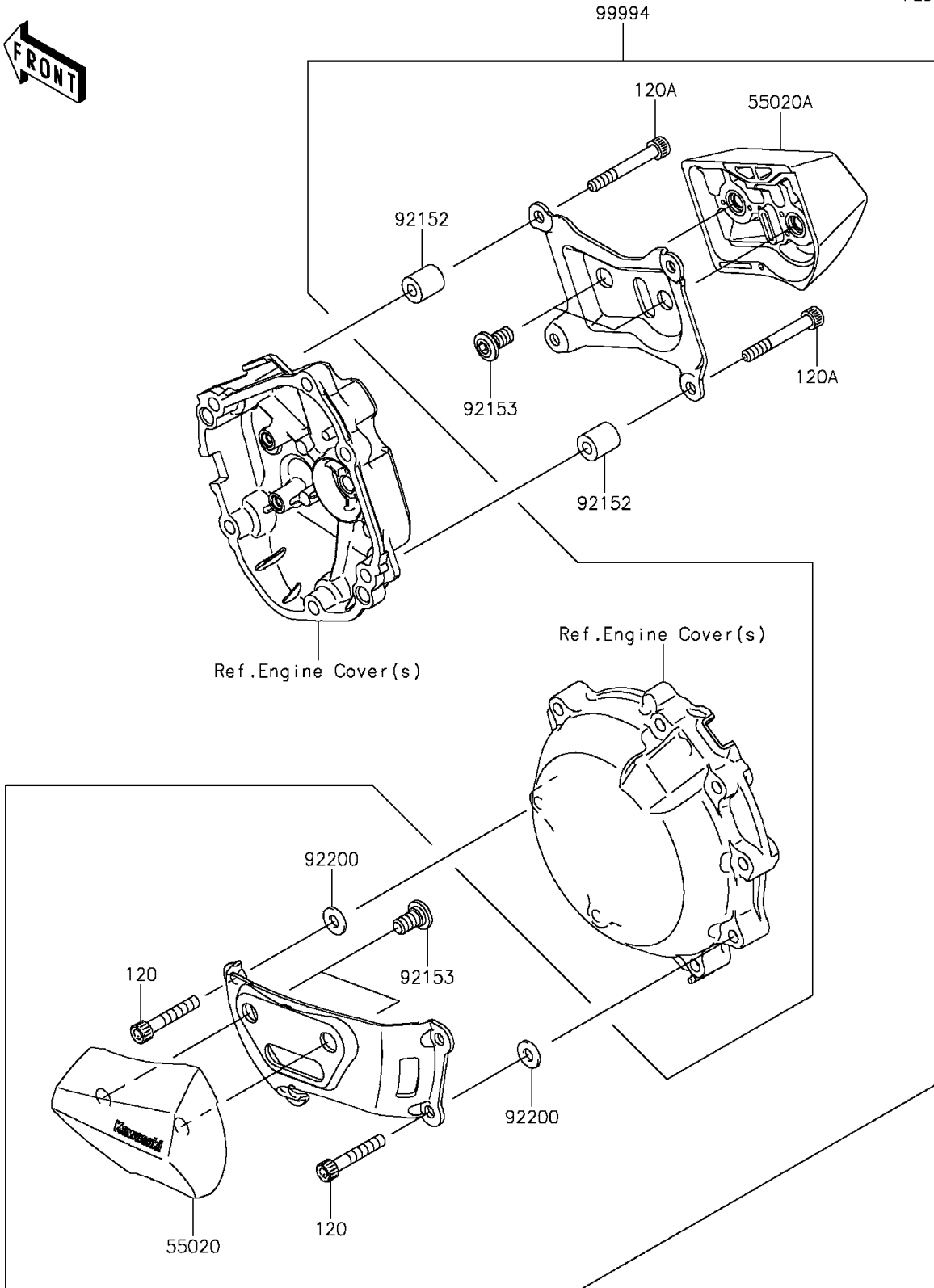


2015 Ninja® ZX™ -10R ABS 30th Anniversary Edition PARTS DIAGRA

Accessory(Engine Guard)

F2910A



2015 Ninja® ZX™ -10R ABS 30th Anniversary Edition PARTS LIST

Accessory(Engine Guard)

ITEM NAME	PART NUMBER	QUANTITY
-----------	-------------	----------