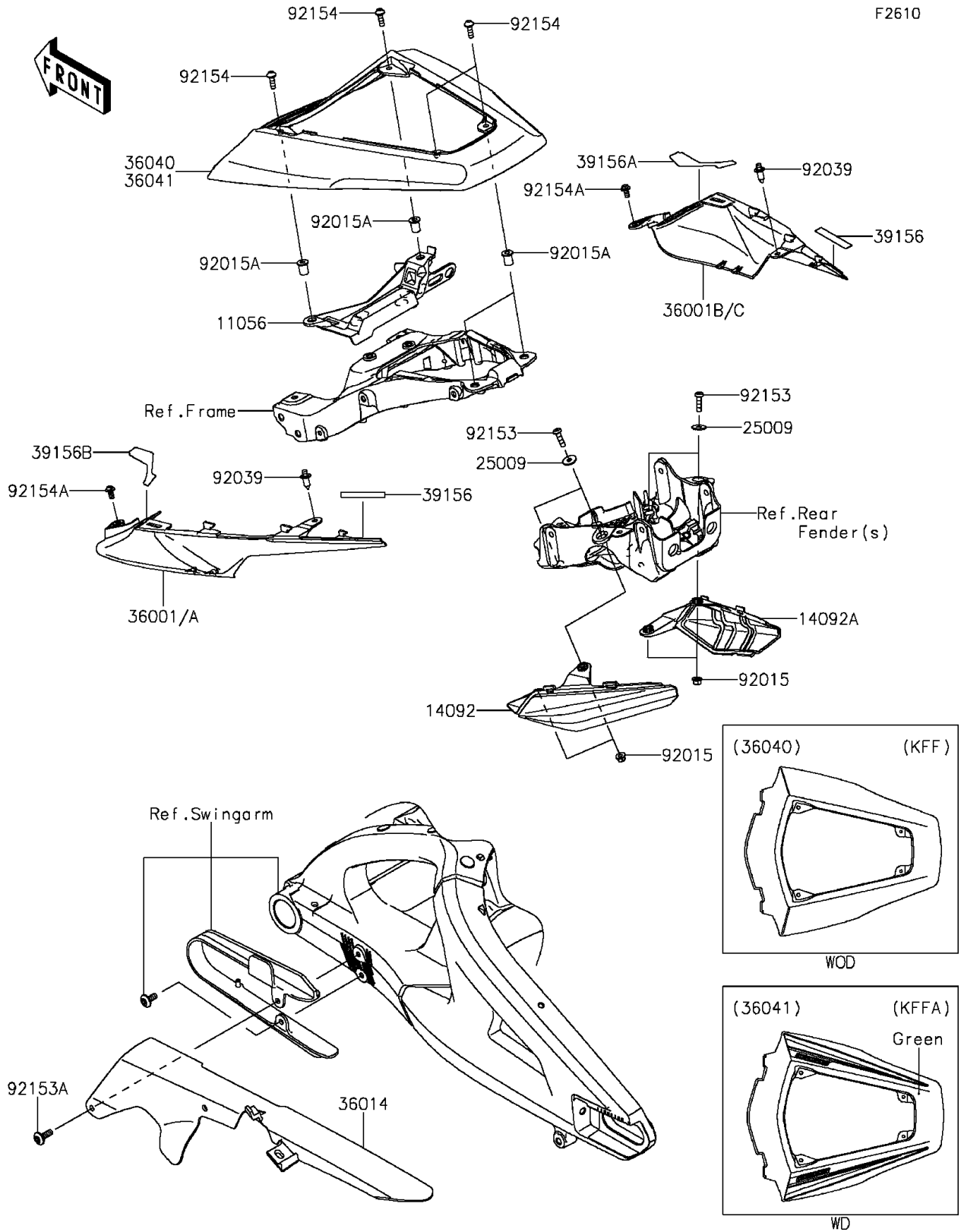


# 2015 Ninja® ZX™ -10R ABS 30th Anniversary Edition PARTS DIAGRA

## Side Covers/Chain Cover



# 2015 Ninja® ZX™ -10R ABS 30th Anniversary Edition PARTS LIST

Side Covers/Chain Cover

ITEM NAME	PART NUMBER	QUANTITY
-----------	-------------	----------