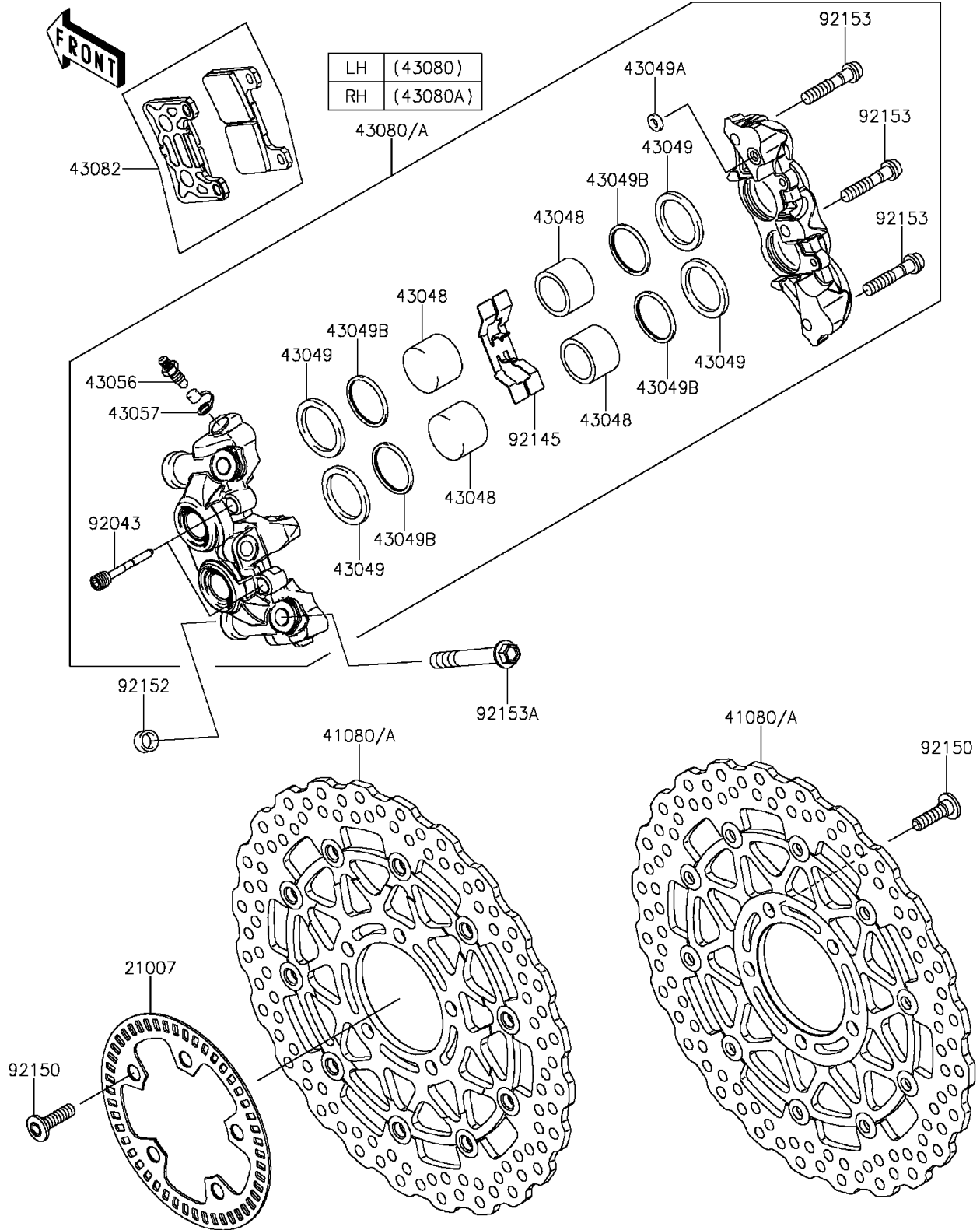


2015 Ninja® ZX™ -10R ABS 30th Anniversary Edition PARTS DIAGRA

Front Brake

F2292



2015 Ninja® ZX™ -10R ABS 30th Anniversary Edition PARTS LIST

Front Brake

ITEM NAME	PART NUMBER	QUANTITY
ROTOR,FR WHEEL (Ref # 21007)	21007-0166	1
DISC,FR,HOUSING GOLD+DISC SIL (Ref # 41080)	41080-0159-488	2
PISTON-CALIPER (Ref # 43048)	43048-0013	8
PACKING,PISTON (Ref # 43049)	43049-0012	8
PACKING,SEAL,6.5X11.5X2.2 (Ref # 43049A)	43049-1004	2
PACKING (Ref # 43049B)	43049-1068	8
BREATHER-BRAKE (Ref # 43056)	43056-0007	2
CAP-BREATHER (Ref # 43057)	43057-003	2
CALIPER-SUB-ASSY,FR,LH,BLACK (Ref # 43080)	43080-0101-DJ	1
CALIPER-SUB-ASSY,FR,RH,BLACK (Ref # 43080A)	43080-0102-DJ	1
PAD-ASSY-BRAKE (Ref # 43082)	43082-0091	2
PIN,PAD (Ref # 92043)	92043-1709	4
SPRING,PAD (Ref # 92145)	92145-0580	2
BOLT,SOCKET,8X30 (Ref # 92150)	92150-1771	10
COLLAR,DOWEL PIN (Ref # 92152)	92152-0679	4
BOLT,SOCKET,8X40 (Ref # 92153)	92153-0360	6
BOLT,FLANGED,10X73 (Ref # 92153A)	92153-1890	4