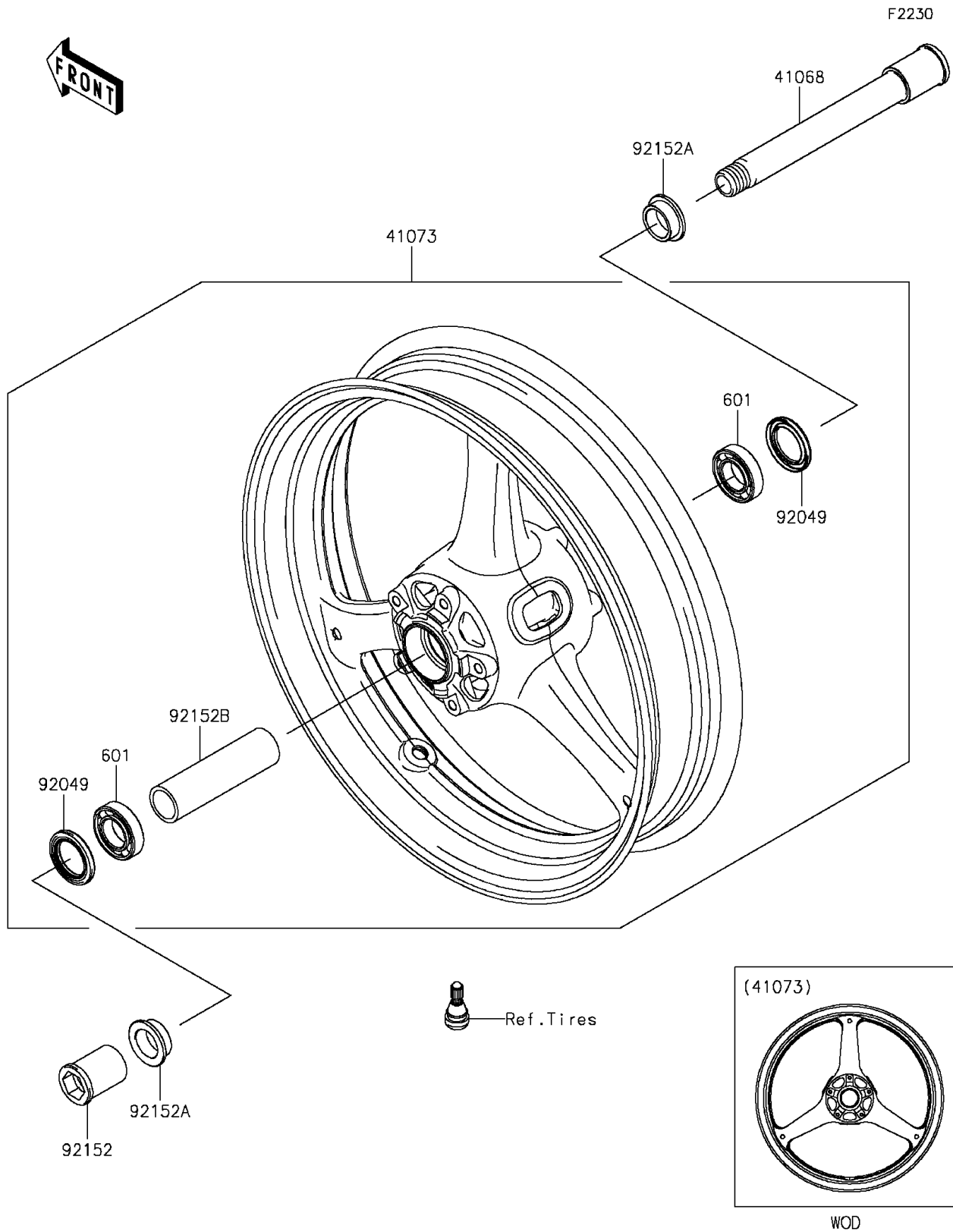


# 2015 Ninja® ZX™ -10R ABS 30th Anniversary Edition PARTS DIAGRA

Front Wheel



## 2015 Ninja® ZX™ -10R ABS 30th Anniversary Edition PARTS LIST

### Front Wheel

ITEM NAME	PART NUMBER	QUANTITY
AXLE,FR (Ref # 41068)	41068-0049	1
WHEEL-ASSY,FR,G.BLACK (Ref # 41073)	41073-0180-18F	1
SEAL-OIL,BJN-C2 32X47X5 (Ref # 92049)	92049-0050	2
COLLAR,FR AXLE,LH,L=44.5 (Ref # 92152)	92152-0240	1
COLLAR,25X32X13 (Ref # 92152A)	92152-0289	2
COLLAR,FR HUB,L=115 (Ref # 92152B)	92152-0616	1
BEARING-BALL,#6005UU (Ref # 601)	601B6005UU	2