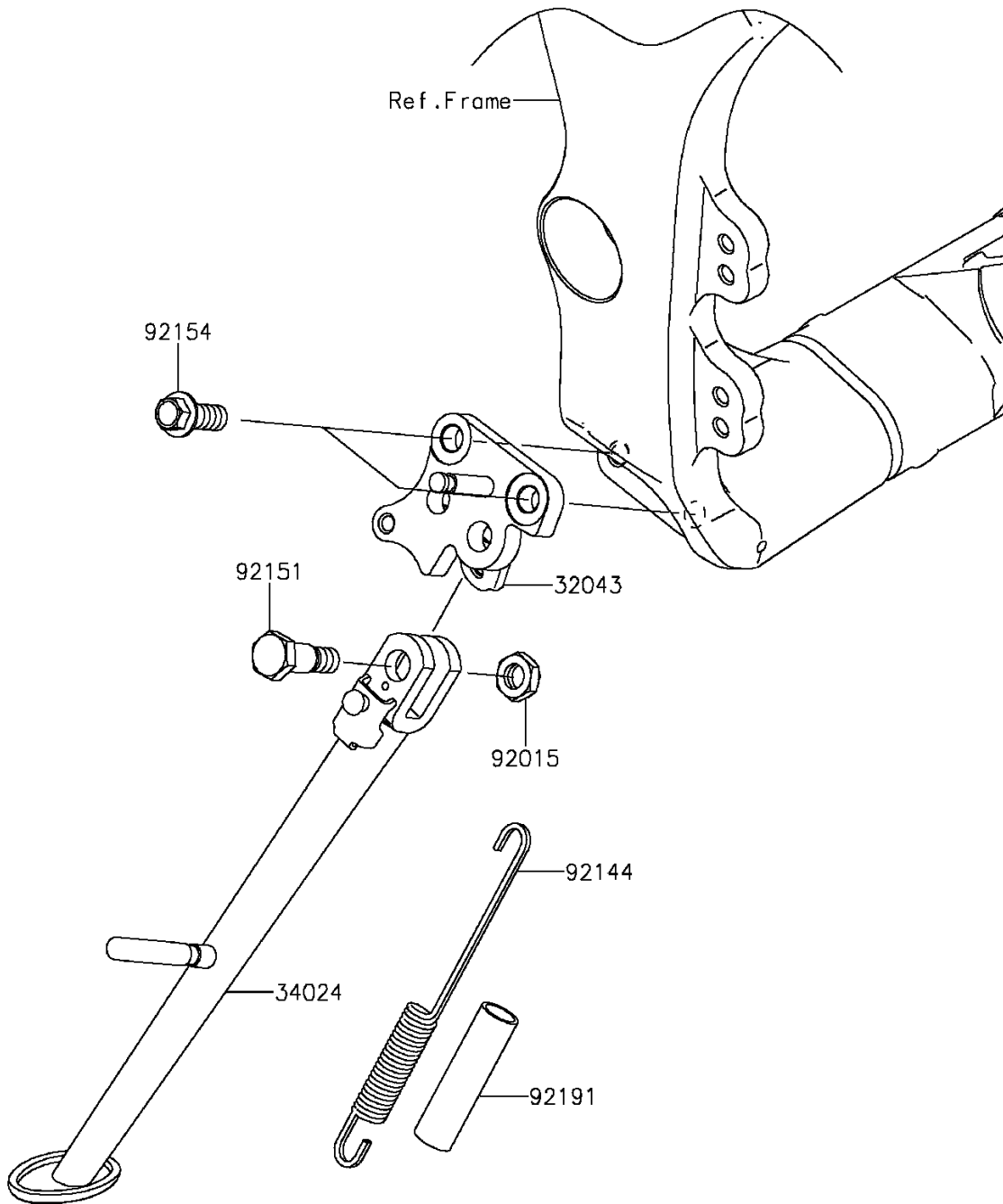


# 2015 Ninja® ZX™ -10R ABS 30th Anniversary Edition PARTS DIAGRA

Stand(s)

F2190



## 2015 Ninja® ZX™ -10R ABS 30th Anniversary Edition PARTS LIST

Stand(s)

| ITEM NAME                             | PART NUMBER    | QUANTITY |
|---------------------------------------|----------------|----------|
| BRACKET-STAND,F.S.BLACK (Ref # 32043) | 32043-0090-18R | 1        |
| STAND-SIDE,F.S.BLACK (Ref # 34024)    | 34024-0093-18R | 1        |
| NUT,LOCK,10MM,BLACK (Ref # 92015)     | 92015-1188     | 1        |
| SPRING,SIDE STAND (Ref # 92144)       | 92144-1818     | 1        |
| BOLT,SIDE STAND (Ref # 92151)         | 92151-1797     | 1        |
| BOLT,FLANGED,10X30 (Ref # 92154)      | 92154-0543     | 2        |
| TUBE,13X16X60 (Ref # 92191)           | 92191-1001     | 1        |