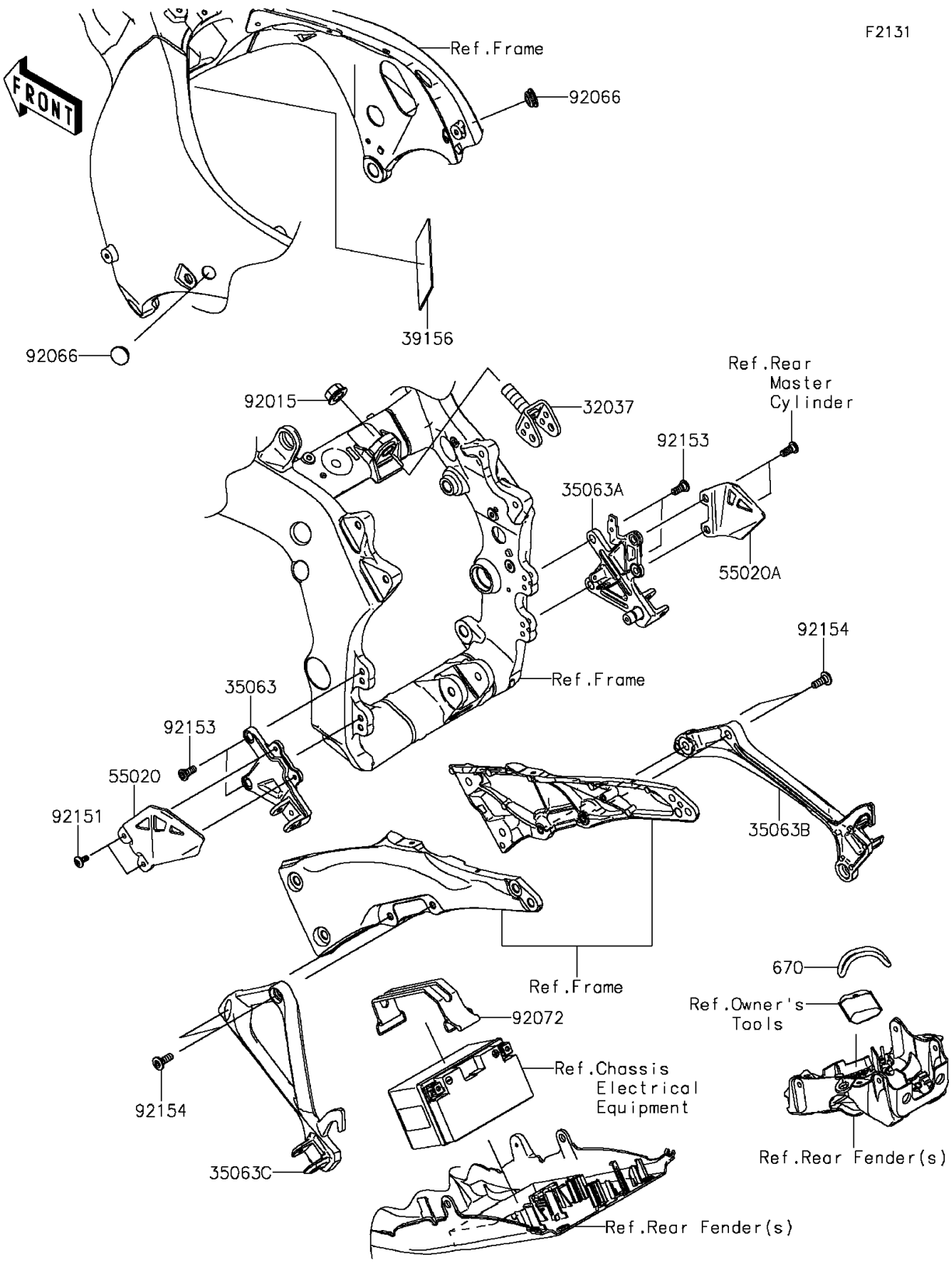


2015 Ninja® ZX™ -10R ABS 30th Anniversary Edition PARTS DIAGRA

Frame Fittings



F2131

2015 Ninja® ZX™ -10R ABS 30th Anniversary Edition PARTS LIST

Frame Fittings

ITEM NAME	PART NUMBER	QUANTITY
BRACKET-SHOCKABSORBER (Ref # 32037)	32037-0149	1
STAY,FR STEP,LH,F.S.BLACK (Ref # 35063)	35063-0697-18R	1
STAY,FR STEP,RH,F.S.BLACK (Ref # 35063A)	35063-0698-18R	1
STAY,RR STEP,RH,F.S.BLACK (Ref # 35063B)	35063-0700-18R	1
STAY,RR STEP,LH,F.S.BLACK (Ref # 35063C)	35063-0852-18R	1
PAD,50X115X2 (Ref # 39156)	39156-0923	1
GUARD,FR STEP,LH (Ref # 55020)	55020-0569	1
GUARD,FR STEP,RH (Ref # 55020A)	55020-0570	1
NUT,FLANGED,16MM (Ref # 92015)	92015-1316	1
PLUG,17MM (Ref # 92066)	92066-1320	2
BAND,L=168 (Ref # 92072)	92072-1306	1
BOLT,SOCKET,6X14 (Ref # 92151)	92151-1654	2
BOLT,SOCKET,8X20 (Ref # 92153)	92153-1621	4
BOLT,SOCKET,8X23 (Ref # 92154)	92154-0300	4
O RING,54.6X5.7 (Ref # 670)	670B5055	1