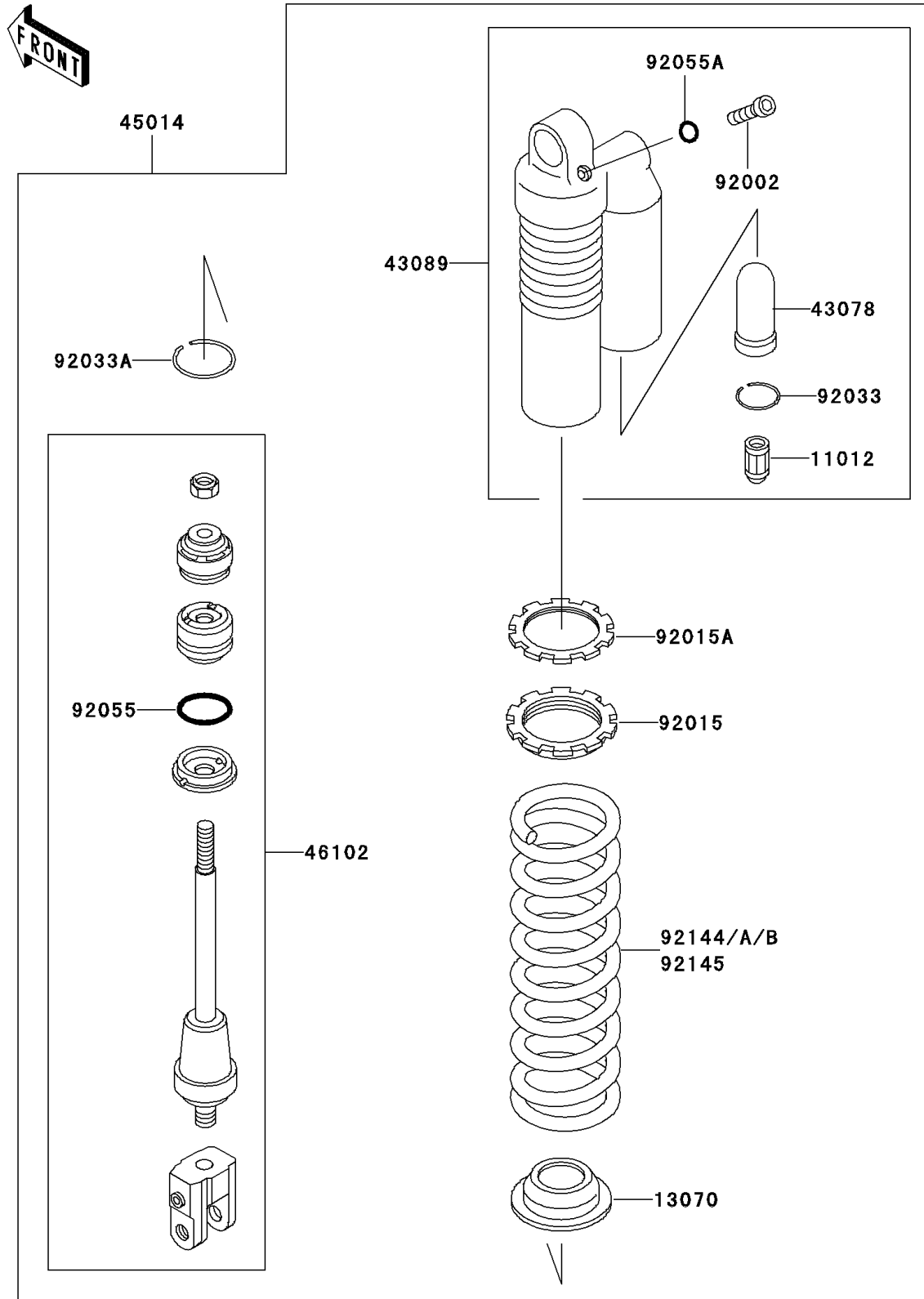


2001 KX85 PARTS DIAGRAM

Shock Absorber(s)

F2280



2001 KX85 PARTS LIST

Shock Absorber(s)

| ITEM NAME | PART NUMBER | QUANTITY |
|---|---------------|----------|
| CAP,VALVE AIR (Ref # 11012) | 11012-1391 | 1 |
| GUIDE,SPRING (Ref # 13070) | 13070-1233 | 1 |
| RESERVOIR,SHOCKABSORBER (Ref # 43078) | 43078-1112 | 1 |
| CYLINDER-SHOCKABSORBER (Ref # 43089) | 43089-1162 | 1 |
| SHOCKABSORBER,I.SILVER (Ref # 45014) | 45014-1662-8V | 1 |
| ROD,SHOCKABSORBER (Ref # 46102) | 46102-1411 | 1 |
| BOLT,DRAIN (Ref # 92002) | 92002-1955 | 1 |
| NUT,SPRING ADJUST (Ref # 92015) | 92015-1679 | 1 |
| NUT,SPRING ADJUST LOCK (Ref # 92015A) | 92015-1713 | 1 |
| RING-SNAP,REARSHOCK (Ref # 92033) | 92033-1091 | 1 |
| RING-SNAP,SHOCKABSORBER (Ref # 92033A) | 92033-1211 | 1 |
| RING-O,ROD (Ref # 92055) | 92055-1334 | 1 |
| RING-O (Ref # 92055A) | 92055-1383 | 1 |
| SPRING,SHOCKABSORBER,K=4.6,SIL (Ref # 92144) | 92144-1570-8V | 1 |
| SPRING,SHOCKABSORBER,K=5.0,SIL (Ref # 92144A) | 92144-1571-8V | 1 |
| SPRING,SHOCKABSORBER,K=4.8,SIL (Ref # 92144B) | 92144-1945-8V | 1 |
| SPRING,SHOCKABSORBER,K=4.4,SIL (Ref # 92145) | 92145-1371-8V | 1 |