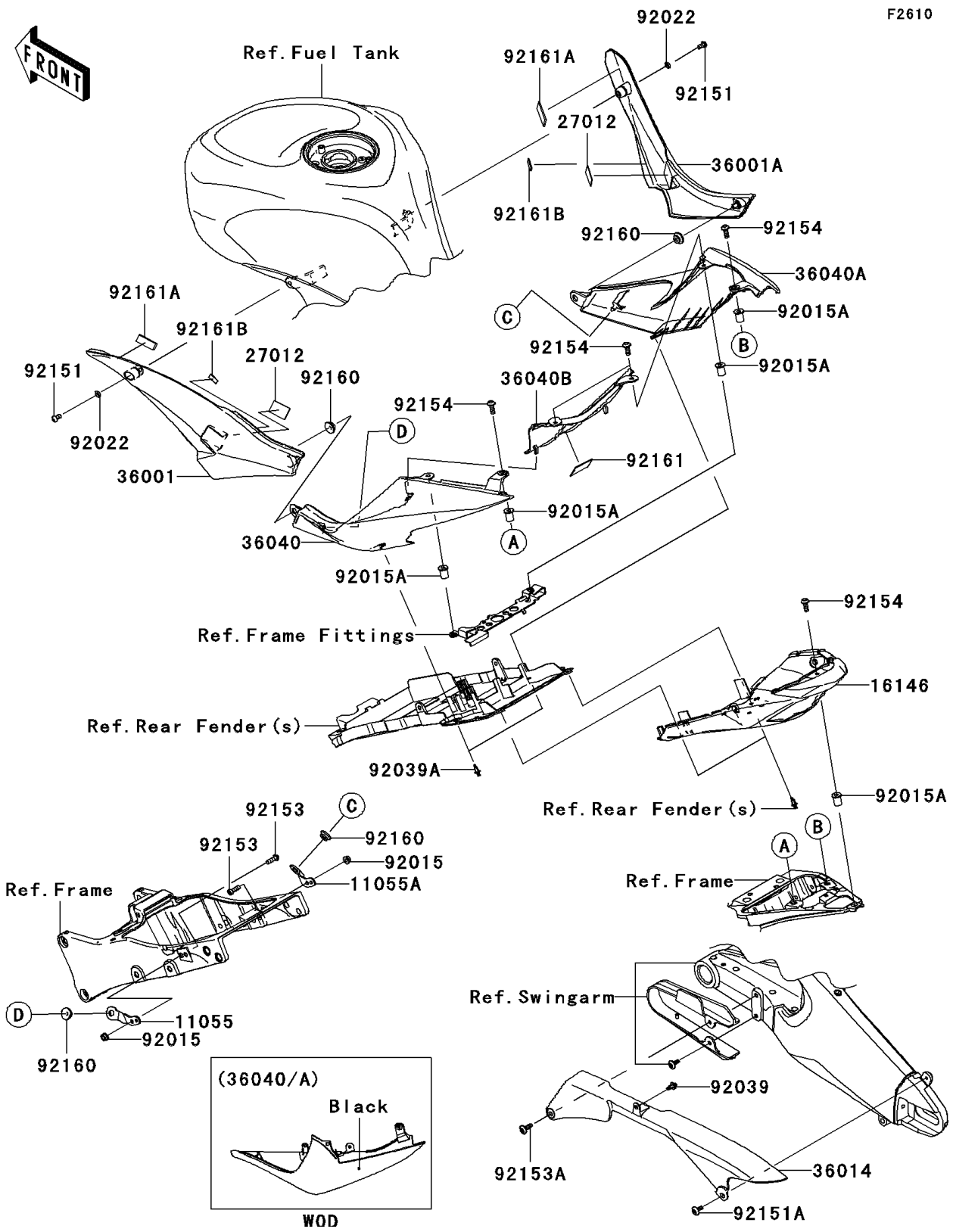


2010 Ninja® ZX™-10R PARTS DIAGRAM

Side Covers/Chain Cover

F2610



2010 Ninja® ZX™-10R PARTS LIST

Side Covers/Chain Cover

ITEM NAME	PART NUMBER	QUANTITY
BRACKET,TAIL COVER,LH (Ref # 11055)	11055-0115	1
BRACKET,TAIL COVER,RH (Ref # 11055A)	11055-0116	1
COVER-ASSY,TAIL,F.BLACK (Ref # 16146)	16146-0074-6Z	1
HOOK (Ref # 27012)	27012-0115	2
COVER-SIDE,LH,M.S.BLACK (Ref # 36001)	36001-0126-660	1
COVER-SIDE,RH,M.S.BLACK (Ref # 36001A)	36001-0127-660	1
CASE-CHAIN (Ref # 36014)	36014-0038	1
COVER-TAIL,LH,M.S.BLACK (Ref # 36040)	36040-0073-660	1
COVER-TAIL,RH,M.S.BLACK (Ref # 36040A)	36040-0074-660	1
COVER-TAIL,CNT,M.S.BLACK (Ref # 36040B)	36040-0075-660	1
NUT,FLANGED,6MM,BLACK (Ref # 92015)	92015-1233	2
NUT,WELL,5MM (Ref # 92015A)	92015-1757	5
WASHER,6.2X11X1.5 (Ref # 92022)	92022-183	2
RIVET (Ref # 92039)	92039-0051	1
RIVET (Ref # 92039A)	92039-0068	2
BOLT,SOCKET,6X12 (Ref # 92151)	92151-1219	2
BOLT,SOCKET,6X14 (Ref # 92151A)	92151-1654	1
BOLT,SOCKET,6X22 (Ref # 92153)	92153-1356	2
BOLT,SOCKET,6X18 (Ref # 92153A)	92153-1675	1
BOLT,SOCKET,5X16 (Ref # 92154)	92154-0209	5
DAMPER (Ref # 92160)	92160-1613	4
DAMPER,FUEL TANK BRACKET (Ref # 92161)	92161-0208	1
DAMPER (Ref # 92161A)	92161-0301	2
DAMPER (Ref # 92161B)	92161-1177	2