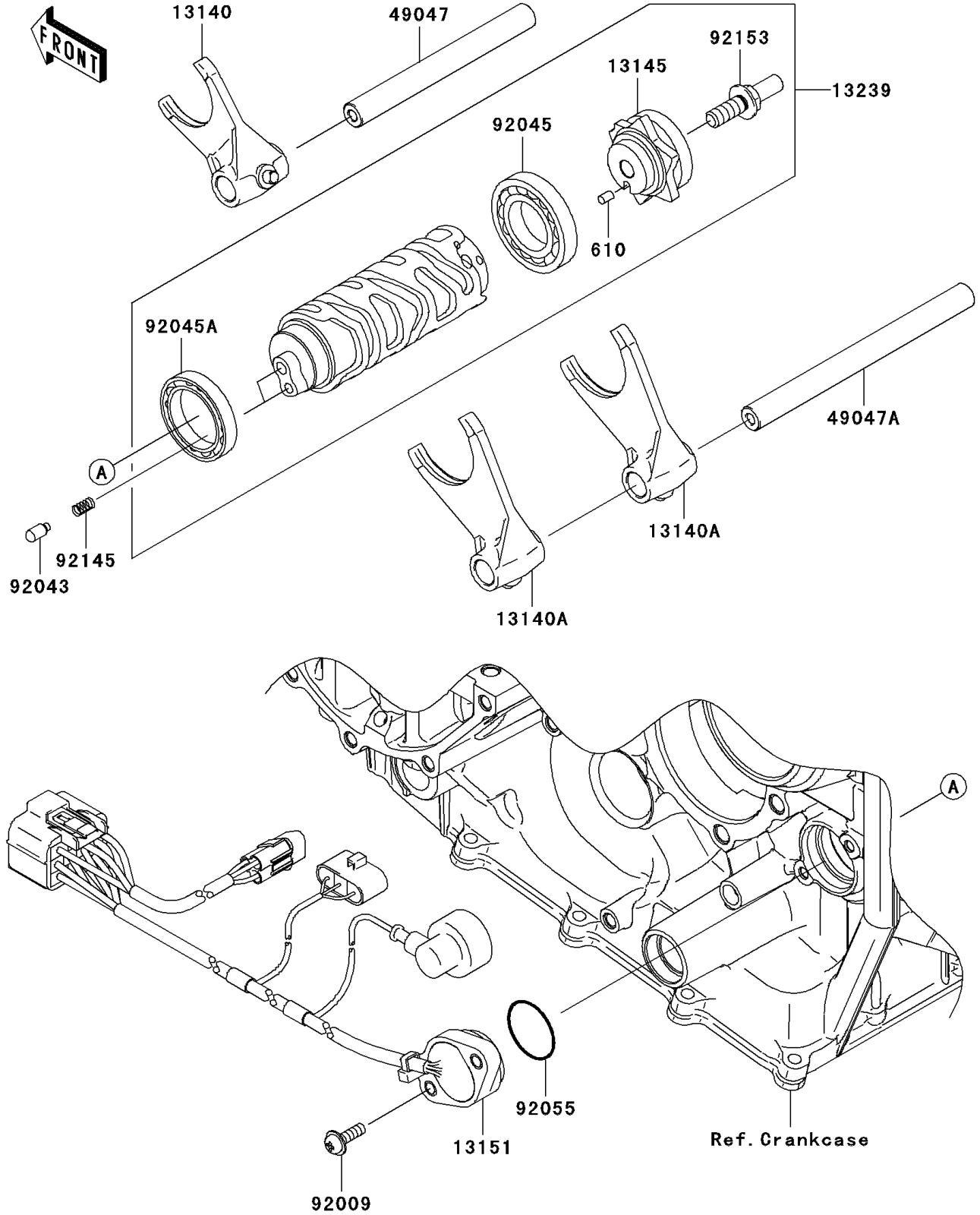


2008 Ninja® ZX™ -10R PARTS DIAGRAM

Gear Change Drum/Shift Fork(s)

E1362



2008 Ninja® ZX™ -10R PARTS LIST

Gear Change Drum/Shift Fork(s)

ITEM NAME	PART NUMBER	QUANTITY
FORK-SHIFT,INPUT (Ref # 13140)	13140-0027	1
FORK-SHIFT,OUTPUT (Ref # 13140A)	13140-0028	2
CAM-CHANGE DRUM (Ref # 13145)	13145-0039	1
SWITCH-COMP,NEUTRAL (Ref # 13151)	13151-0044	1
DRUM-ASSY-CHANGE (Ref # 13239)	13239-0030	1
ROD-SHIFT,INPUT (Ref # 49047)	49047-0021	1
ROD-SHIFT,OUTPUT (Ref # 49047A)	49047-0022	1
SCREW (Ref # 92009)	92009-1895	2
PIN (Ref # 92043)	92043-1654	2
BEARING-BALL,16005(NTN) (Ref # 92045)	92045-1045	1
BEARING-BALL,6806 (Ref # 92045A)	92045-1152	1
RING-O (Ref # 92055)	92055-091	1
SPRING (Ref # 92145)	92145-1414	2
BOLT (Ref # 92153)	92153-1735	1
ROLLER,4X6 (Ref # 610)	610A0406	1