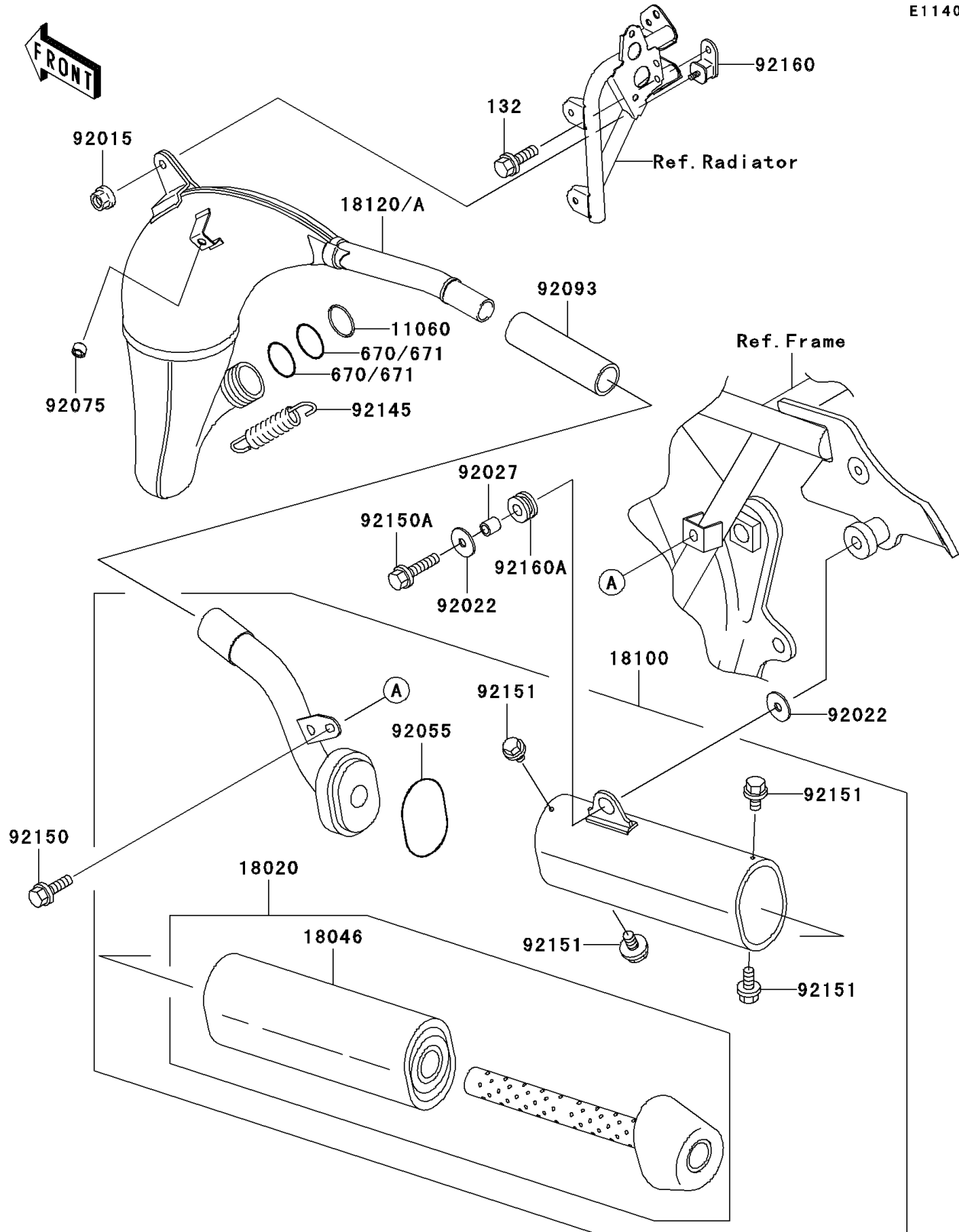


## 2002 KX85 PARTS DIAGRAM

Muffler(s)

E1140



## 2002 KX85 PARTS LIST

Muffler(s)

| ITEM NAME                               | PART NUMBER | QUANTITY |
|---|-------------|----------|
| BOLT-FLANGED-SMALL (Ref # 132)          | 132G0612    | 1        |
| O RING (Ref # 670)                      | 670E3034    | 1        |
| GASKET,EXHAUST HOLDER (Ref # 11060)     | 11060-1842  | 1        |
| BAFFLE (Ref # 18020)                    | 18020-1272  | 1        |
| WOOL (Ref # 18046)                      | 18046-1559  | 1        |
| BODY-ASSY-MUFFLER (Ref # 18100)         | 18100-1084  | 1        |
| CHAMBER-EXHAUST (Ref # 18120A)          | 18120-1114  | 1        |
| NUT,FLANGED,6MM (Ref # 92015)           | 92015-1078  | 1        |
| WASHER,6.5X22X1.6 (Ref # 92022)         | 92022-237   | 1        |
| COLLAR,6.8X10X10.5 (Ref # 92027)        | 92027-120   | 1        |
| RING-O,BAFFLE PIPE (Ref # 92055)        | 92055-1461  | 1        |
| DAMPER (Ref # 92075)                    | 92075-1598  | 1        |
| SEAL,MUFFLER JOINT (Ref # 92093)        | 92093-1200  | 1        |
| SPRING,EXHAUST CONNECTING (Ref # 92145) | 92145-1340  | 1        |
| BOLT,6X14 (Ref # 92150)                 | 92150-1392  | 1        |
| BOLT,FLANGED,6X25 (Ref # 92150A)        | 92150-1507  | 1        |
| BOLT,6X10 (Ref # 92151)                 | 92151-1822  | 1        |
| DAMPER,MUFFLER,FR (Ref # 92160)         | 92160-1176  | 1        |
| DAMPER,MUFFLER FITTING (Ref # 92160A)   | 92160-1913  | 1        |