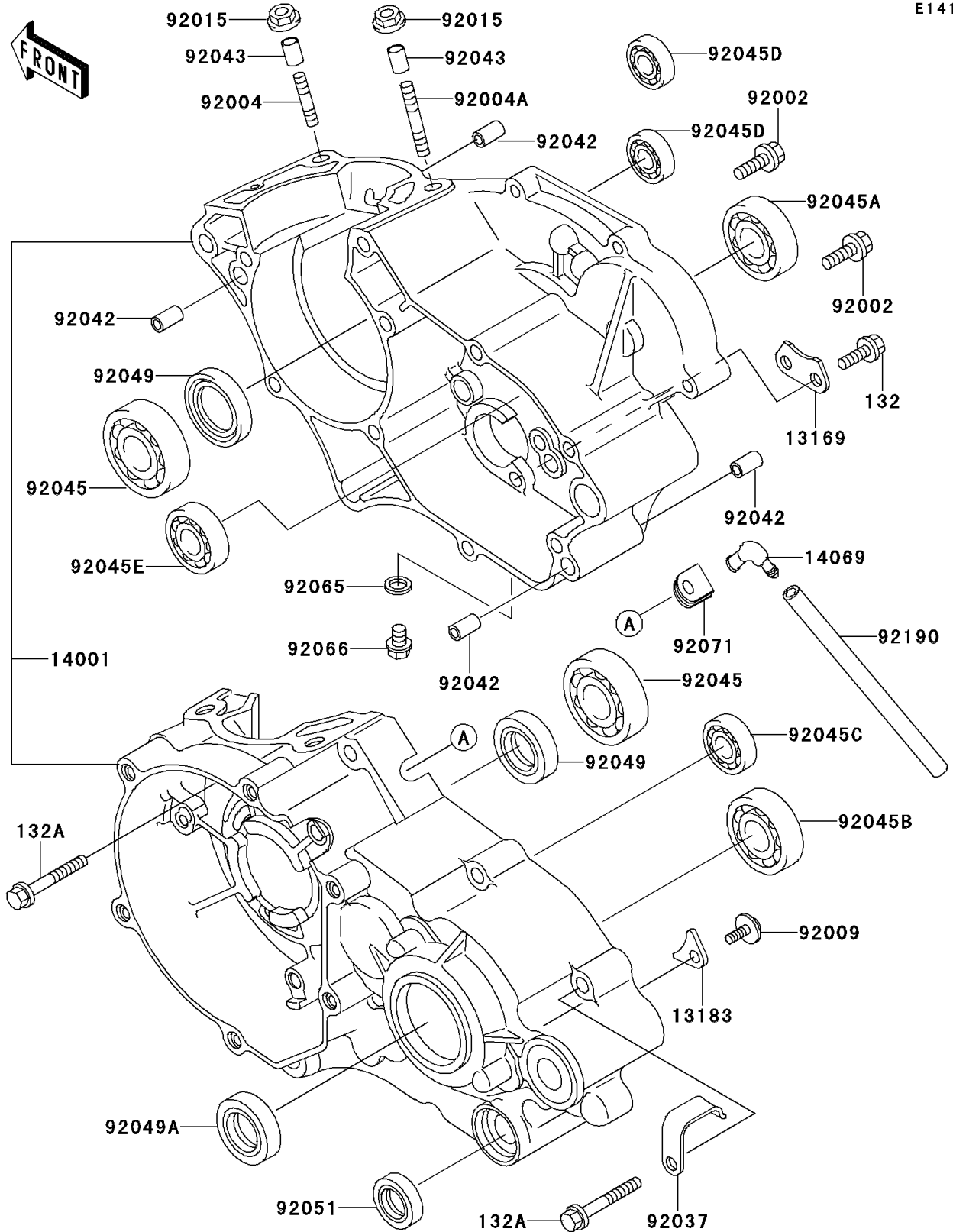


1999 KX80 PARTS DIAGRAM

Crankcase

E1411



1999 KX80 PARTS LIST

Crankcase

| ITEM NAME | PART NUMBER | QUANTITY |
|--|-------------|----------|
| BOLT-FLANGED-SMALL (Ref # 132) | 132G0612 | 2 |
| BOLT-FLANGED-SMALL (Ref # 132A) | 132G0635 | 9 |
| PLATE,CHANGE DRUM (Ref # 13169) | 13169-012 | 1 |
| PLATE (Ref # 13183) | 13183-1182 | 2 |
| SET-CRANKCASE (Ref # 14001) | 14001-1231 | 1 |
| BREATHER,CRANKCASE (Ref # 14069) | 14069-002 | 1 |
| BOLT,6X16 (Ref # 92002) | 92002-1659 | 2 |
| STUD,8X28.5 (Ref # 92004) | 92004-1252 | 2 |
| STUD,8X37 (Ref # 92004A) | 92004-1254 | 2 |
| SCREW,6X10 (Ref # 92009) | 92009-1563 | 2 |
| NUT,8MM (Ref # 92015) | 92015-1143 | 4 |
| CLAMP,HARNESS (Ref # 92037) | 92037-1318 | 1 |
| PIN,DOWEL,6.3X8X14 (Ref # 92042) | 92042-007 | 4 |
| PIN,8.2X10X14 (Ref # 92043) | 92043-1264 | 2 |
| BEARING-BALL,R-6304C3 (Ref # 92045) | 92045-1059 | 2 |
| BEARING-BALL,6004TMB (Ref # 92045A) | 92045-1118 | 1 |
| BEARING-BALL,6204 (Ref # 92045B) | 92045-1226 | 1 |
| BEARING-BALL,6001C3ML01 (Ref # 92045C) | 92045-1235 | 1 |
| BEARING-BALL,626MC3 (Ref # 92045D) | 92045-1304 | 2 |
| BEARING-BALL,TMB002 (Ref # 92045E) | 92045-1360 | 1 |
| SEAL-OIL,SD20407GS (Ref # 92049) | 92049-1188 | 2 |
| SEAL-OIL,TC25375 (Ref # 92049A) | 92049-1292 | 1 |
| SEAL-OIL,TB13225.5 (Ref # 92051) | 92051-005 | 1 |
| GASKET,10.5X16X1 (Ref # 92065) | 92065-058 | 1 |
| PLUG,DRAIN (Ref # 92066) | 92066-1241 | 1 |
| GROMMET,BREATHER (Ref # 92071) | 92071-042 | 1 |
| TUBE,6X9X330 (Ref # 92190) | 92190-1116 | 1 |