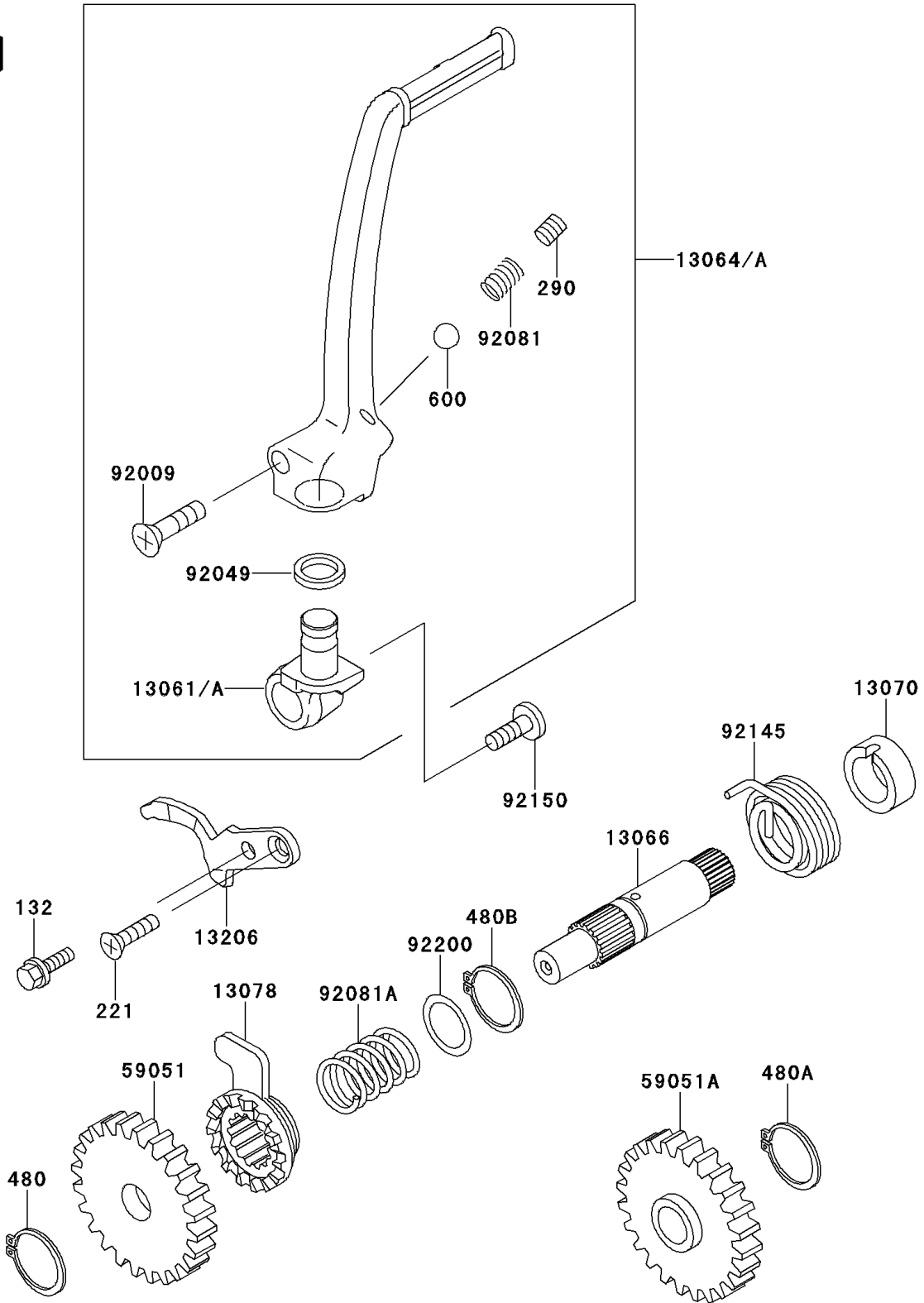


## 1999 KX80 PARTS DIAGRAM

Kickstarter Mechanism

E1340



## 1999 KX80 PARTS LIST

Kickstarter Mechanism

| ITEM NAME                            | PART NUMBER | QUANTITY |
|--------------------------------------|-------------|----------|
| BOLT-FLANGED-SMALL (Ref # 132)       | 132G0616    | 1        |
| SCREW-CSK-CROS,6X18 (Ref # 221)      | 221B0618    | 1        |
| SCREW-SET-SOCKET (Ref # 290)         | 290P0808    | 1        |
| CIRCLIP-TYPE-C,12MM (Ref # 480)      | 480J1200    | 1        |
| CIRCLIP-TYPE-C,15MM (Ref # 480A)     | 480J1500    | 1        |
| CIRCLIP-TYPE-C,16MM (Ref # 480B)     | 480J1600    | 1        |
| BALL-STEEL,1/4" (Ref # 600)          | 600A0800    | 1        |
| BOSS,KICK PEDAL (Ref # 13061A)       | 13061-1712  | 1        |
| LEVER-ASSY-KICK,PEDAL (Ref # 13064A) | 13064-1188  | 1        |
| SHAFT-KICK (Ref # 13066)             | 13066-1097  | 1        |
| GUIDE (Ref # 13070)                  | 13070-1314  | 1        |
| RATCHET (Ref # 13078)                | 13078-1004  | 1        |
| GUIDE-KICK (Ref # 13206)             | 13206-1066  | 1        |
| GEAR-SPUR,32T (Ref # 59051)          | 59051-1026  | 1        |
| GEAR-SPUR,31T,KICK (Ref # 59051A)    | 59051-1147  | 1        |
| SCREW,6X27 (Ref # 92009)             | 92009-1607  | 1        |
| SEAL-OIL,SR12162.5 (Ref # 92049)     | 92049-1468  | 1        |
| SPRING,KICK PEDAL (Ref # 92081)      | 92081-020   | 1        |
| SPRING,RATCHET (Ref # 92081A)        | 92081-122   | 1        |
| SPRING (Ref # 92145)                 | 92145-1058  | 1        |
| BOLT,SOCKET,6X16 (Ref # 92150)       | 92150-1673  | 1        |
| WASHER,KICKSHAFT (Ref # 92200)       | 92200-1209  | 1        |