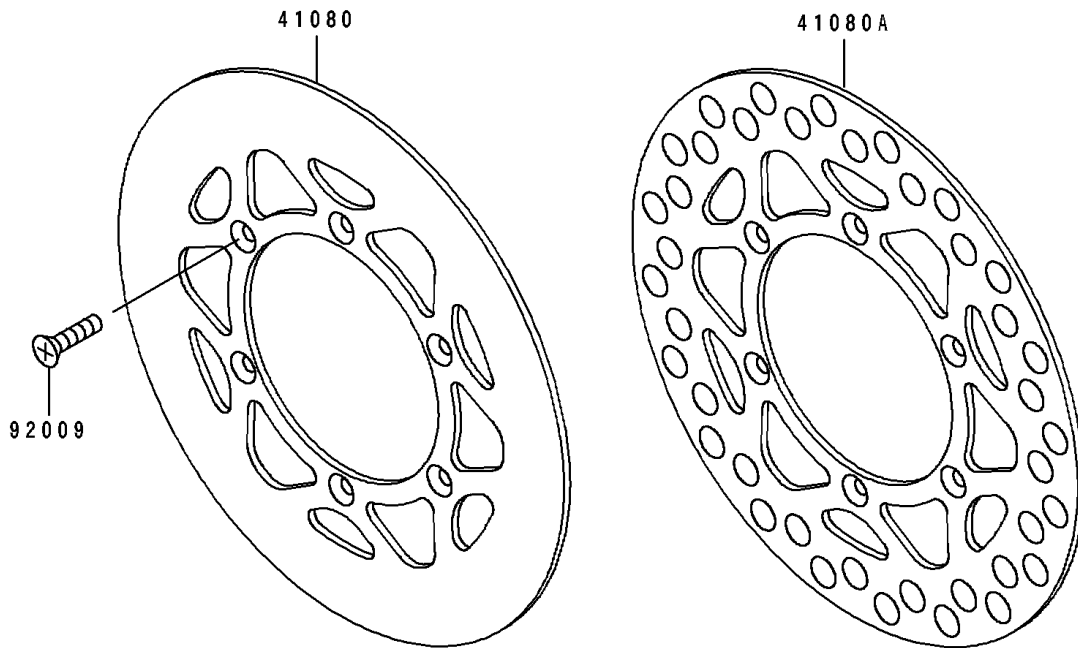
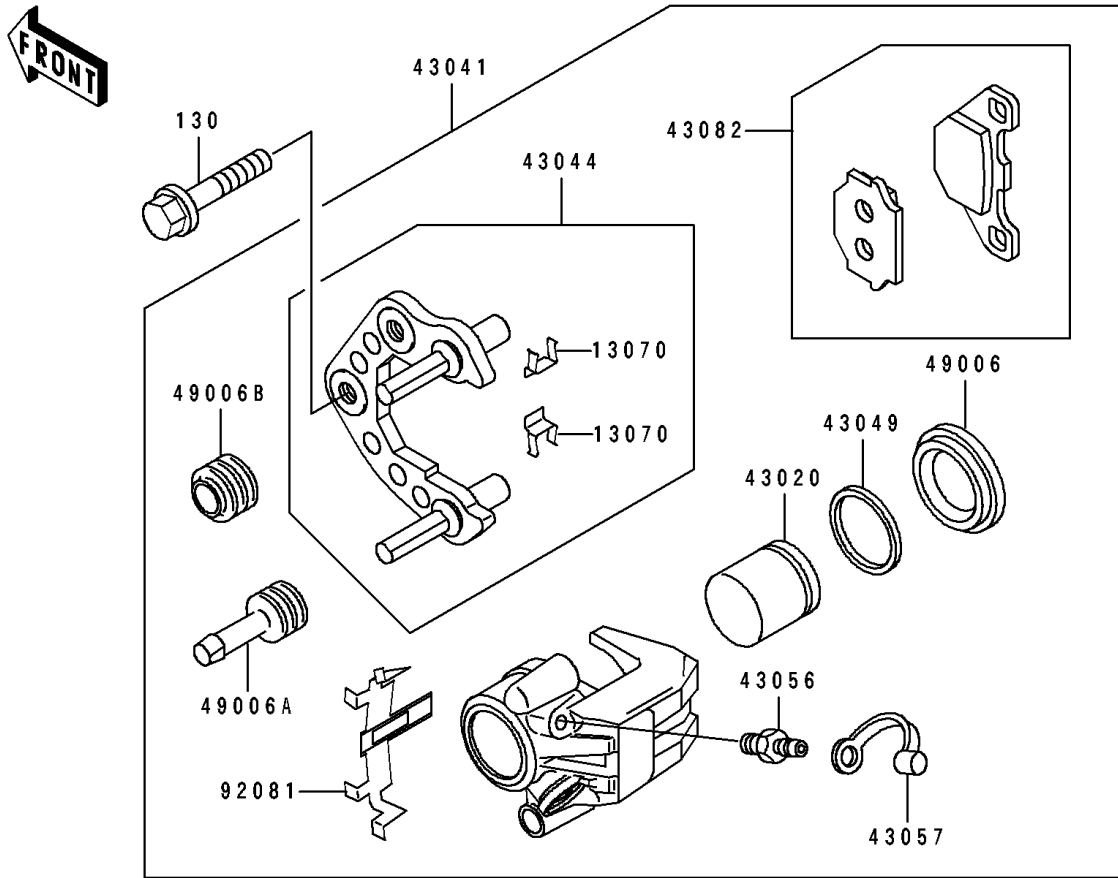


# 1995 KX80 PARTS DIAGRAM

Front Brake

F2292



## 1995 KX80 PARTS LIST

### Front Brake

ITEM NAME	PART NUMBER	QUANTITY
GUIDE,PAD STOPPER (Ref # 13070)	13070-1183	2
DISC,FR (Ref # 41080)	41080-1330	1
DISC,FR (Ref # 41080A)	41080-1335	1
PISTON-COMP-BRAKE (Ref # 43020)	43020-1091	1
CALIPER-ASSY,FR (Ref # 43041)	43041-1530	1
HOLDER-COMP-CALIPER,FR (Ref # 43044)	43044-1051	1
PACKING (Ref # 43049)	43049-1016	1
BREATHER-BRAKE (Ref # 43056)	43056-1054	1
CAP-BREATHER (Ref # 43057)	43057-003	1
PAD-ASSY-BRAKE (Ref # 43082)	43082-1164	1
BOOT,PISTON SEAL (Ref # 49006)	49006-1053	1
BOOT,CALIPER (Ref # 49006A)	49006-1054	1
BOOT,CALIPER (Ref # 49006B)	49006-1055	1
SCREW,6X10 (Ref # 92009)	92009-1375	6
SPRING (Ref # 92081)	92081-1341	1
BOLT-FLANGED (Ref # 130)	130P0840	2