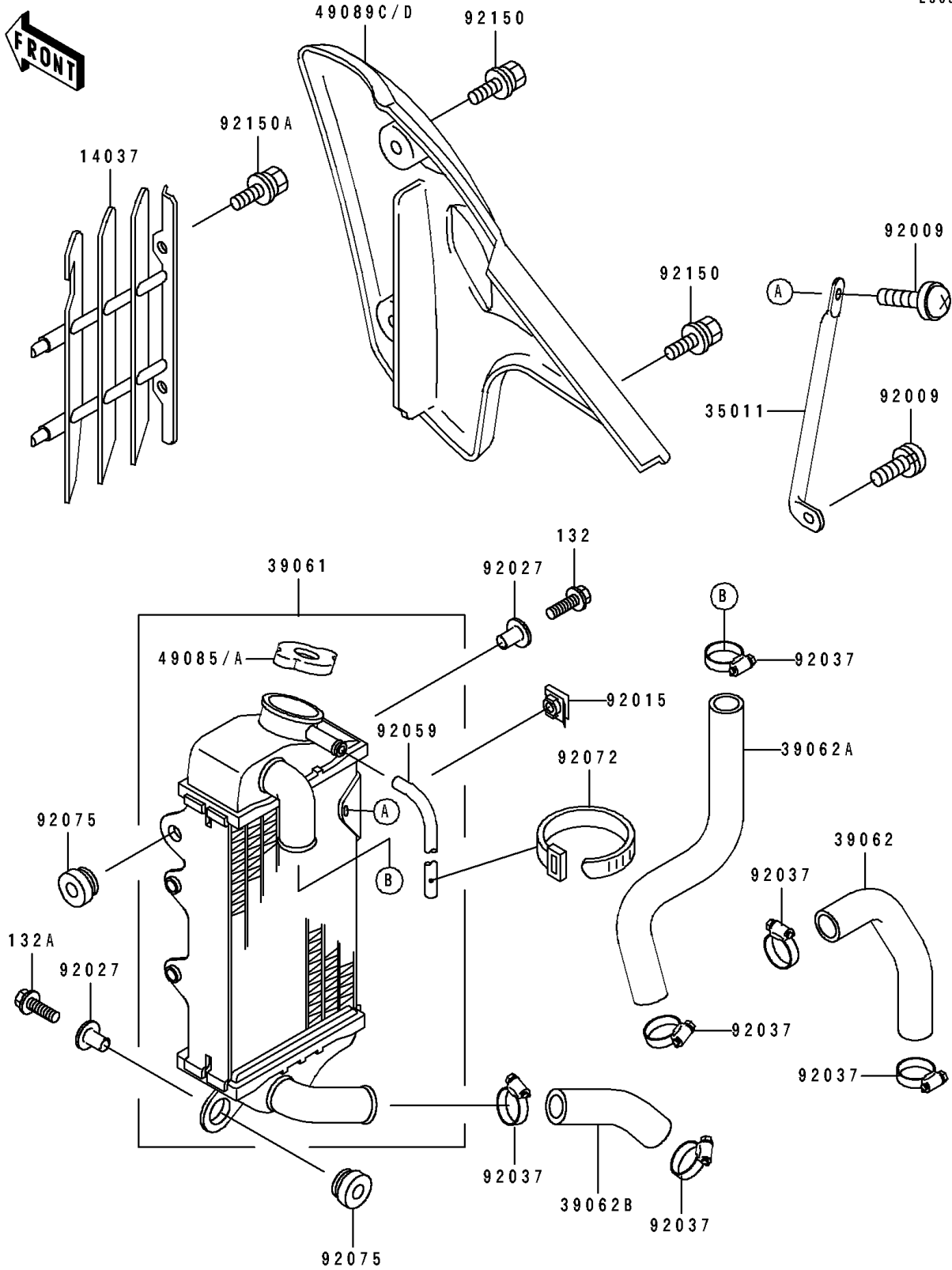


1994 KX80 PARTS DIAGRAM

Radiator

E3032



1994 KX80 PARTS LIST

Radiator

| ITEM NAME | PART NUMBER | QUANTITY |
|---|---------------|----------|
| SCREEN,RADIATOR,L.GRREN (Ref # 14037) | 14037-1113-6W | 1 |
| STAY,RADIATOR (Ref # 35011) | 35011-1548 | 1 |
| RADIATOR-ASSY (Ref # 39061) | 39061-1183 | 1 |
| HOSE-COOLING,PUMP-CYLINDER (Ref # 39062) | 39062-1134 | 1 |
| HOSE-COOLING,HEAD-RADIATOR (Ref # 39062A) | 39062-1425 | 1 |
| HOSE-COOLING,RADIATOR-PUMP (Ref # 39062B) | 39062-1426 | 1 |
| CAP-ASSY-PRESSURE,P=1.6 (Ref # 49085) | 49085-1059 | 1 |
| CAP-ASSY-PRESSURE (Ref # 49085A) | 49085-1066 | 1 |
| SHROUD-ENGINE,L.GREEN (Ref # 49089C) | 49089-5192-6W | 1 |
| SCREW,6X10 (Ref # 92009) | 92009-1661 | 2 |
| NUT (Ref # 92015) | 92015-1487 | 2 |
| COLLAR (Ref # 92027) | 92027-1183 | 2 |
| CLAMP,COOLING HOSE (Ref # 92037) | 92037-1589 | 6 |
| TUBE,5X9X600 (Ref # 92059) | 92059-1259 | 1 |
| BAND,L=186 (Ref # 92072) | 92072-056 | 1 |
| DAMPER (Ref # 92075) | 92075-1352 | 2 |
| BOLT,6X14 (Ref # 92150) | 92150-1340 | 3 |
| BOLT,6X12 (Ref # 92150A) | 92150-1435 | 1 |
| BOLT-FLANGED-SMALL (Ref # 132) | 132G0620 | 1 |
| BOLT-FLANGED-SMALL (Ref # 132A) | 132G0625 | 1 |