

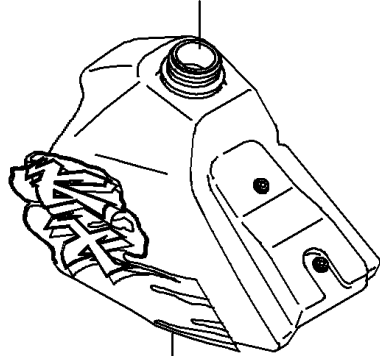
1992 Big Wheel PARTS DIAGRAM

Label(KX80-R2/T2)

F2860

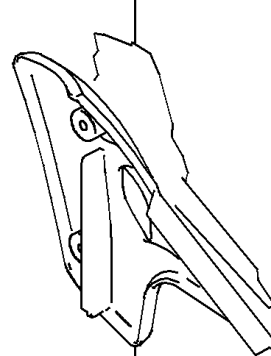


Ref. Fuel Tank



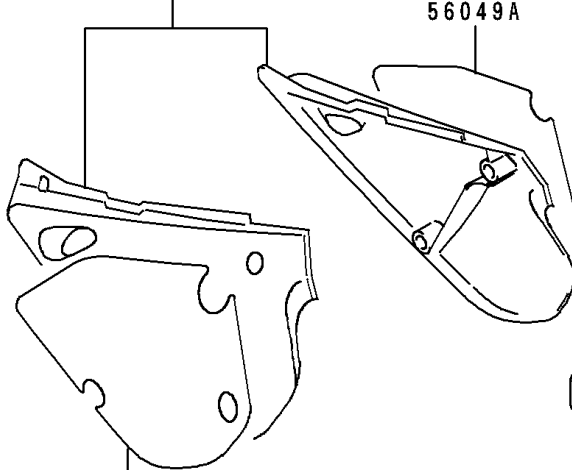
56049B

56049C



Ref. Radiator

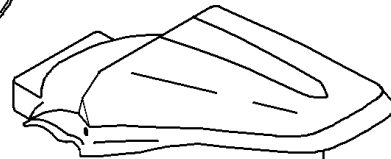
Ref. Side Cover



56049

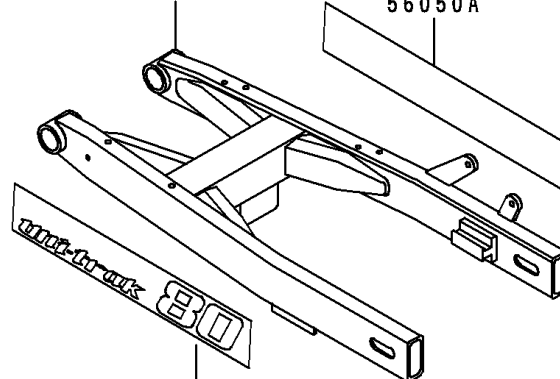
56049A

56040



Ref. Fender

Ref. Swing Arm



56050

56050A

1992 Big Wheel PARTS LIST

Label(KX80-R2/T2)

| ITEM NAME | PART NUMBER | QUANTITY |
|--|-------------|----------|
| LABEL-WARNING,NOISE (Ref # 56040) | 56040-1101 | 1 |
| LABEL-WARNING,GASOLINE/OIL (Ref # 56040A) | 56040-1129 | 1 |
| PATTERN,SIDE COVER,LH (Ref # 56049) | 56049-1707 | 1 |
| PATTERN,SIDE COVER,RH (Ref # 56049A) | 56049-1708 | 1 |
| PATTERN,FUEL TANK,LH (Ref # 56049B) | 56049-1984 | 1 |
| PATTERN,SHROUD,RH (Ref # 56049C) | 56049-1985 | 1 |
| MARK,SWING ARM,LH,UNI-TRAK 80 (Ref # 56050) | 56050-1722 | 1 |
| MARK,SWING ARM,RH,80 UNI-TRAK (Ref # 56050A) | 56050-1723 | 1 |
| MARK,UPSIDE DOWN (Ref # 56050B) | 56050-1729 | 2 |