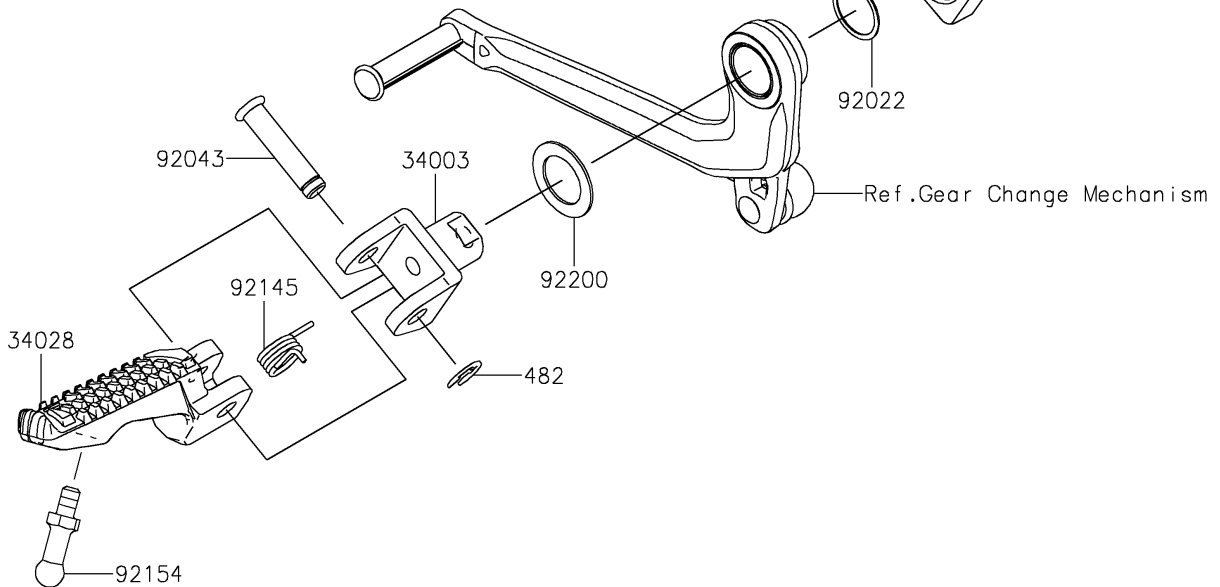
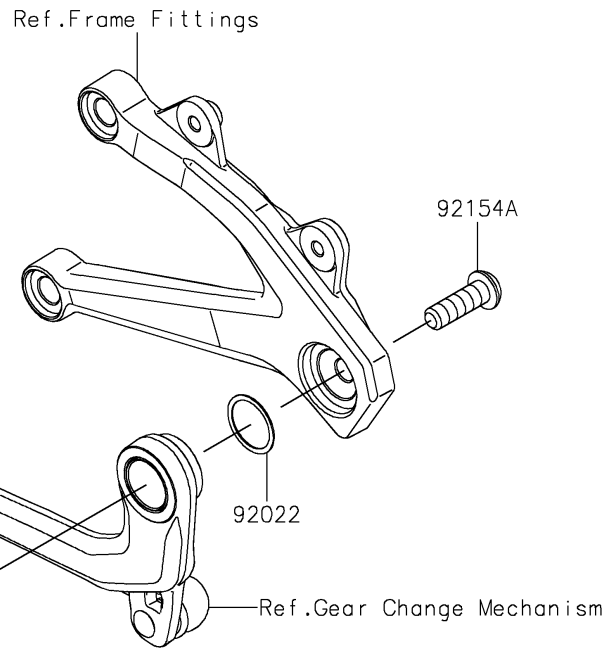
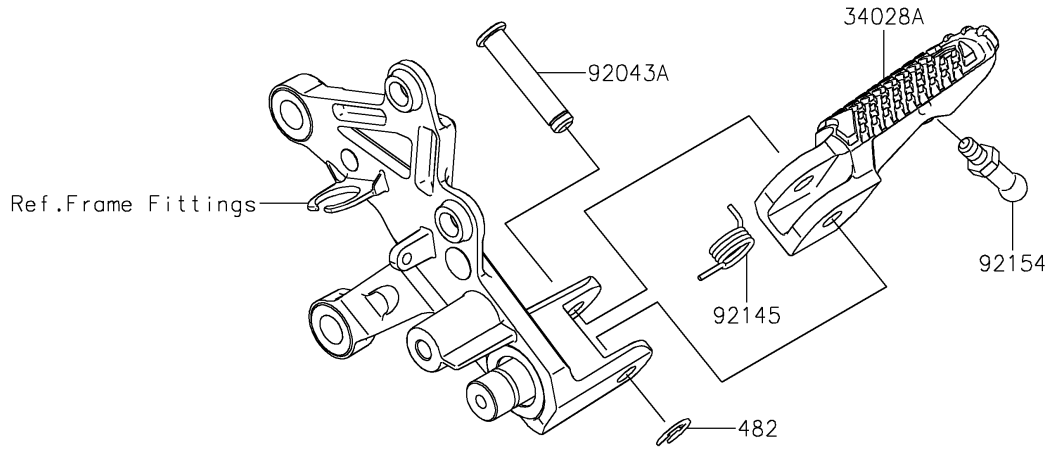


2021 NINJA H2® PARTS DIAGRAM

Footrests

F2160



2021 NINJA H2® PARTS LIST

Footrests

| ITEM NAME | PART NUMBER | QUANTITY |
|-------------------------------------|----------------|----------|
| HOLDER-STEP,LH,GRAY (Ref # 34003) | 34003-0161-53G | 1 |
| STEP,LH (Ref # 34028) | 34028-0342 | 1 |
| STEP,RH (Ref # 34028A) | 34028-0343 | 1 |
| WASHER,18.3X22X0.5 (Ref # 92022) | 92022-271 | 1 |
| PIN,8X36.5 (Ref # 92043) | 92043-0856 | 1 |
| PIN,8X40.5 (Ref # 92043A) | 92043-0857 | 1 |
| SPRING,13X1.6 (Ref # 92145) | 92145-1656 | 2 |
| BOLT,BANK SENSOR,6X10 (Ref # 92154) | 92154-1718 | 2 |
| BOLT,SOCKET,8X25 (Ref # 92154A) | 92154-1737 | 1 |
| WASHER,18.3X28X1 (Ref # 92200) | 92200-1680 | 1 |
| CIRCLIP-TYPE-E (Ref # 482) | 482EB7000 | 2 |