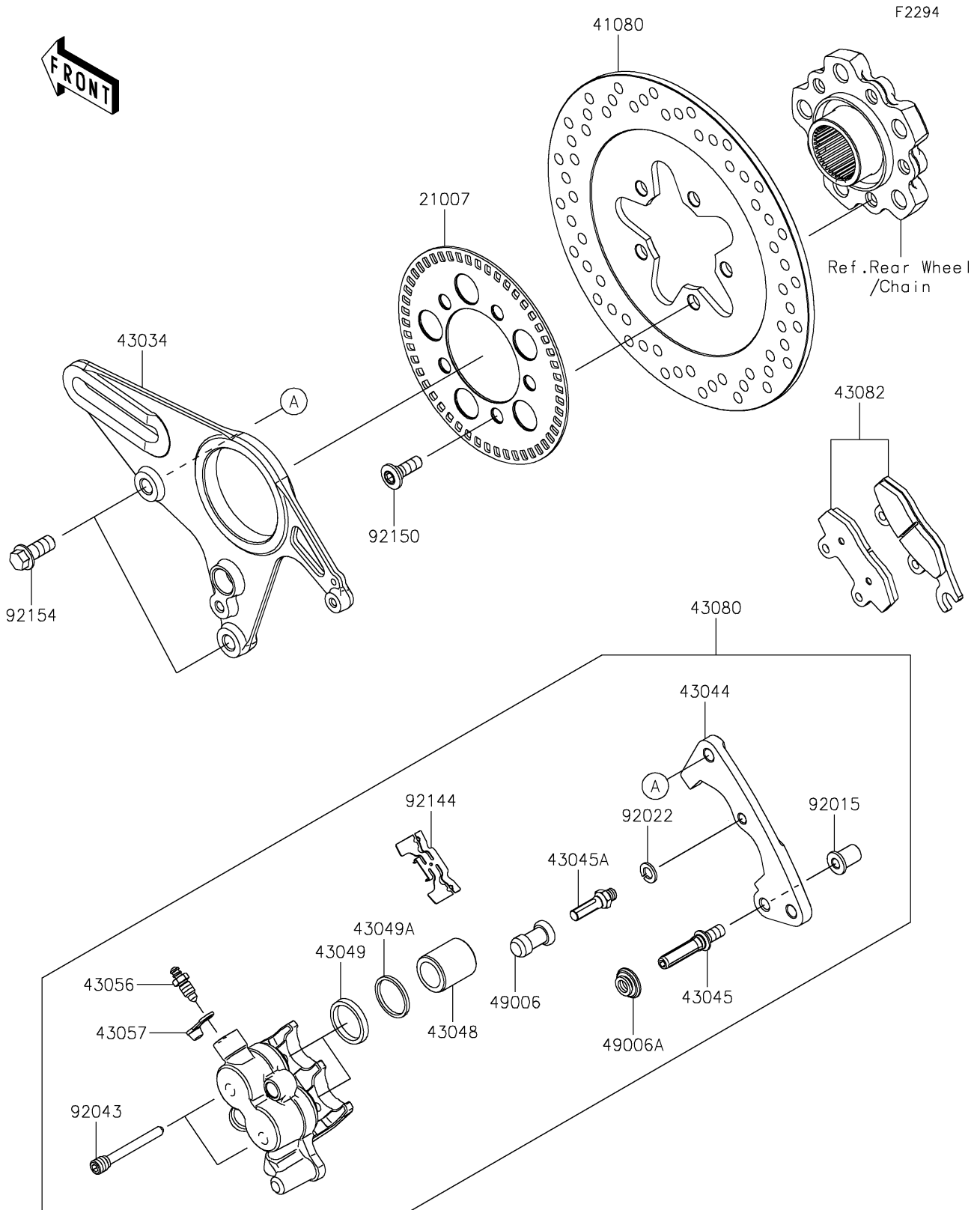


# 2021 Ninja H2 SX SE+ PARTS DIAGRAM

Rear Brake



## 2021 Ninja H2 SX SE+ PARTS LIST

### Rear Brake

ITEM NAME	PART NUMBER	QUANTITY
ROTOR,SENSOR,RR (Ref # 21007)	21007-0662	1
DISC,RR,250MM (Ref # 41080)	41080-0694	1
HOLDER-BRAKE (Ref # 43034)	43034-0139	1
HOLDER-COMP-CALIPER (Ref # 43044)	43044-0084	1
SHAFT-CALIPER (Ref # 43045)	43045-0011	1
SHAFT-CALIPER (Ref # 43045A)	43045-1010	1
PISTON-CALIPER (Ref # 43048)	43048-1068	2
PACKING,PISTON SEAL (Ref # 43049)	43049-1060	2
PACKING,PISTON SEAL (Ref # 43049A)	43049-1061	2
BREATHER (Ref # 43056)	43056-1055	1
CAP-BREATHER (Ref # 43057)	43057-1001	1
CALIPER-SUB-ASSY,RR,2P,BLACK (Ref # 43080)	43080-0202-DJ	1
PAD-ASSY-BRAKE (Ref # 43082)	43082-0179	1
BOOT,CALIPER (Ref # 49006)	49006-1088	1
BOOT,CALIPER (Ref # 49006A)	49006-1242	1
NUT (Ref # 92015)	92015-1740	1
WASHER,WAVE (Ref # 92022)	92022-1373	1
PIN,HANGER (Ref # 92043)	92043-1416	2
SPRING,PAD (Ref # 92144)	92144-1847	1
BOLT,8X25 (Ref # 92150)	92150-1858	5
BOLT,CALIPER,10X25 (Ref # 92154)	92154-2835	2