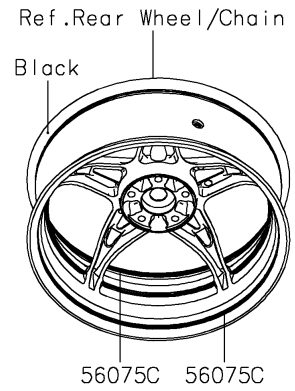
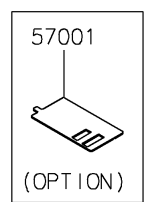
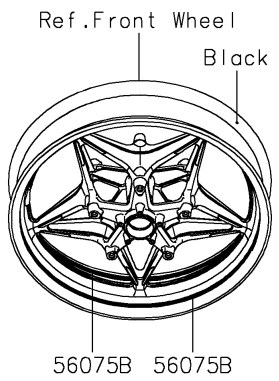
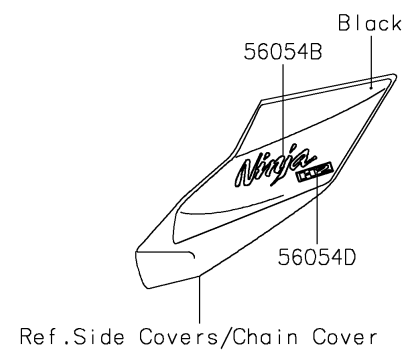
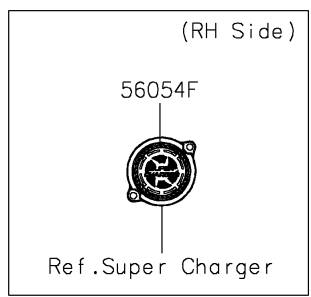
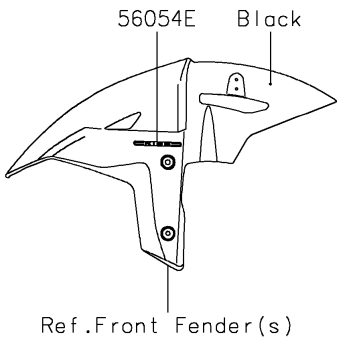
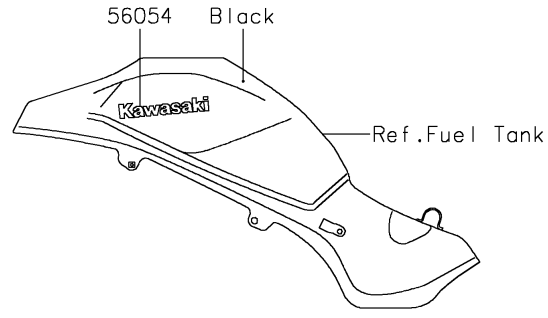
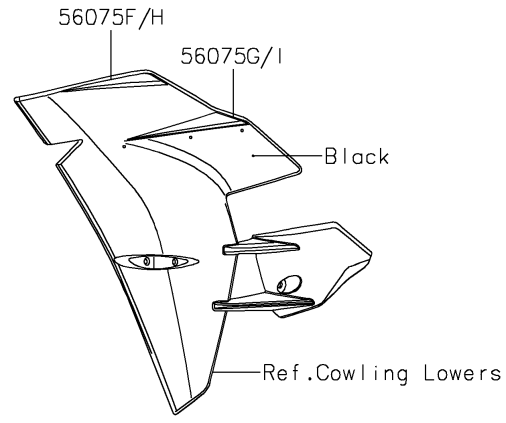
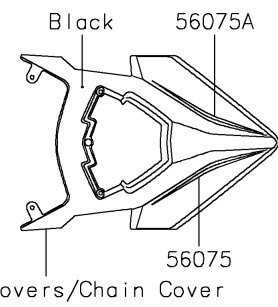
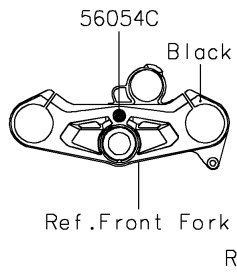
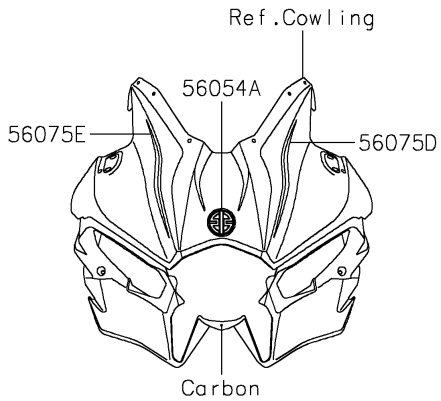


# 2020 NINJA H2™ CARBON PARTS DIAGRAM

Decals(JKFA/JLFA)

F2861A



## 2020 NINJA H2™ CARBON PARTS LIST

Decals(JKFA/JLFA)

ITEM NAME	PART NUMBER	QUANTITY
MARK,KAWASAKI (Ref # 56054)	56054-1356	2
MARK,UPP COWL.,RIVER (Ref # 56054A)	56054-1557	1
MARK,SIDE COVER,NINJA (Ref # 56054B)	56054-1626	2
MARK,UPP HOLDER,RIVER (Ref # 56054C)	56054-1628	1
MARK,H2,3D (Ref # 56054D)	56054-2191	2
MARK,FR FENDER,KIBS (Ref # 56054E)	56054-2202	2
MARK,SUPERCHARGED (Ref # 56054F)	56054-2533	1
PATTERN,TAIL COVER,LH (Ref # 56075)	56075-0431	1
PATTERN,TAIL COVER,RH (Ref # 56075A)	56075-0432	1
PATTERN,FR WHEEL,GREEN,10X1372 (Ref # 56075B)	56075-0433	2
PATTERN,RR WHEEL,GREEN,12X1377 (Ref # 56075C)	56075-0434	2
PATTERN,UPP COWL.,LH (Ref # 56075D)	56075-7795	1
PATTERN,UPP COWL.,RH (Ref # 56075E)	56075-7796	1
PATTERN,SIDE COWL.,LH,UPP (Ref # 56075F)	56075-7797	1
PATTERN,SIDE COWL.,LH,LWR (Ref # 56075G)	56075-7798	1
PATTERN,SIDE COWL.,RH,UPP (Ref # 56075H)	56075-7799	1
PATTERN,SIDE COWL.,RH,LWR (Ref # 56075I)	56075-7800	1
RIM STRIPE APPLICATOR,10/12MM (Ref # 57001)	57001-1836	AR