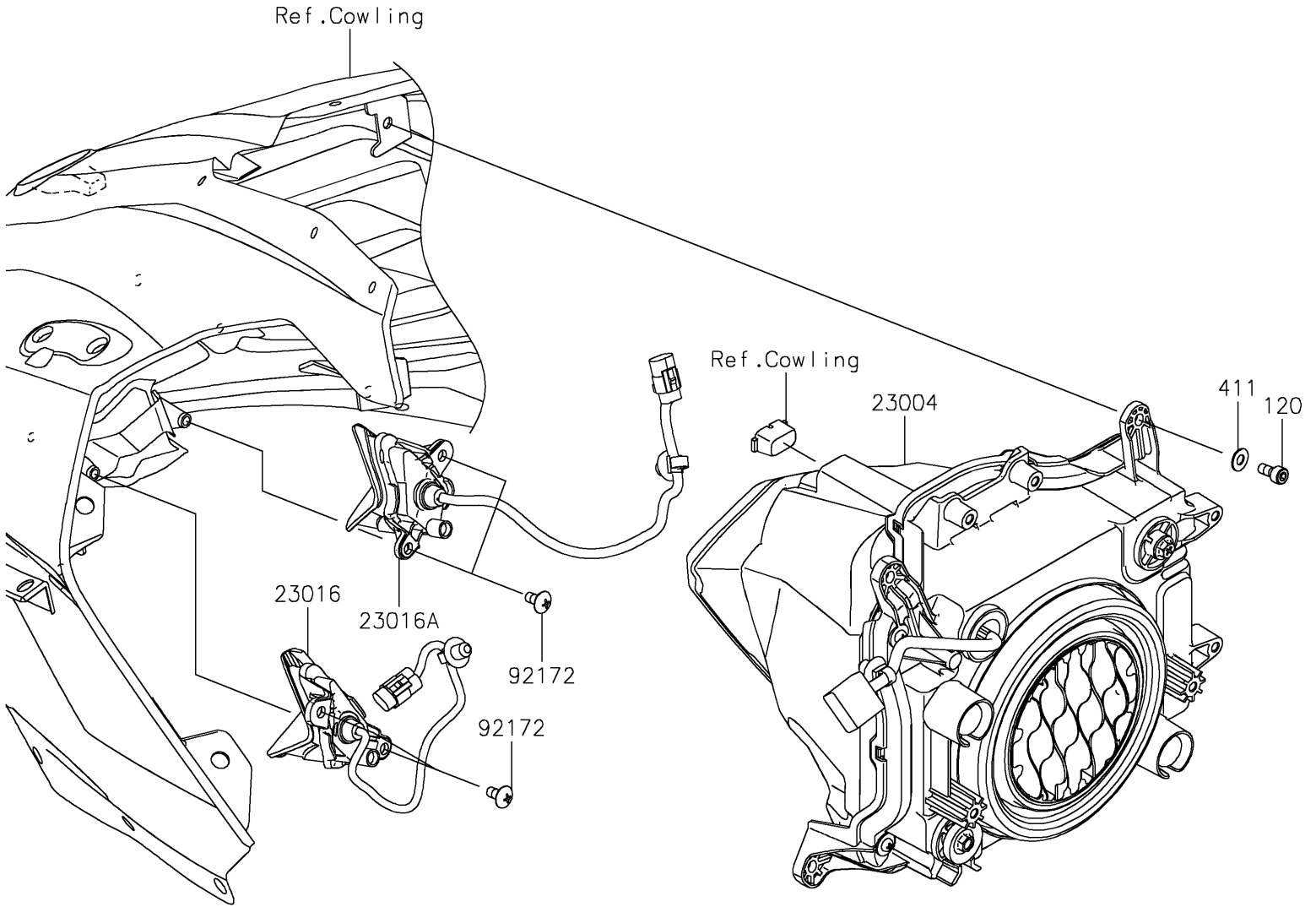


2020 NINJA H2™ CARBON PARTS DIAGRAM

Headlight(s)(JKFA/JLFA)

F2710A



2020 NINJA H2™ CARBON PARTS LIST

Headlight(s)(JKFA/JLFA)

ITEM NAME	PART NUMBER	QUANTITY
LAMP-HEAD,LED (Ref # 23004)	23004-0359	1
LAMP-ASSY,POSITION,LH (Ref # 23016)	23016-0572	1
LAMP-ASSY,POSITION,RH (Ref # 23016A)	23016-0573	1
SCREW,TAPPING,5X10 (Ref # 92172)	92172-0262	4
BOLT-SOCKET,5X16 (Ref # 120)	120CA0516	4
WASHER-PLAIN,5MM (Ref # 411)	411AA0500	4