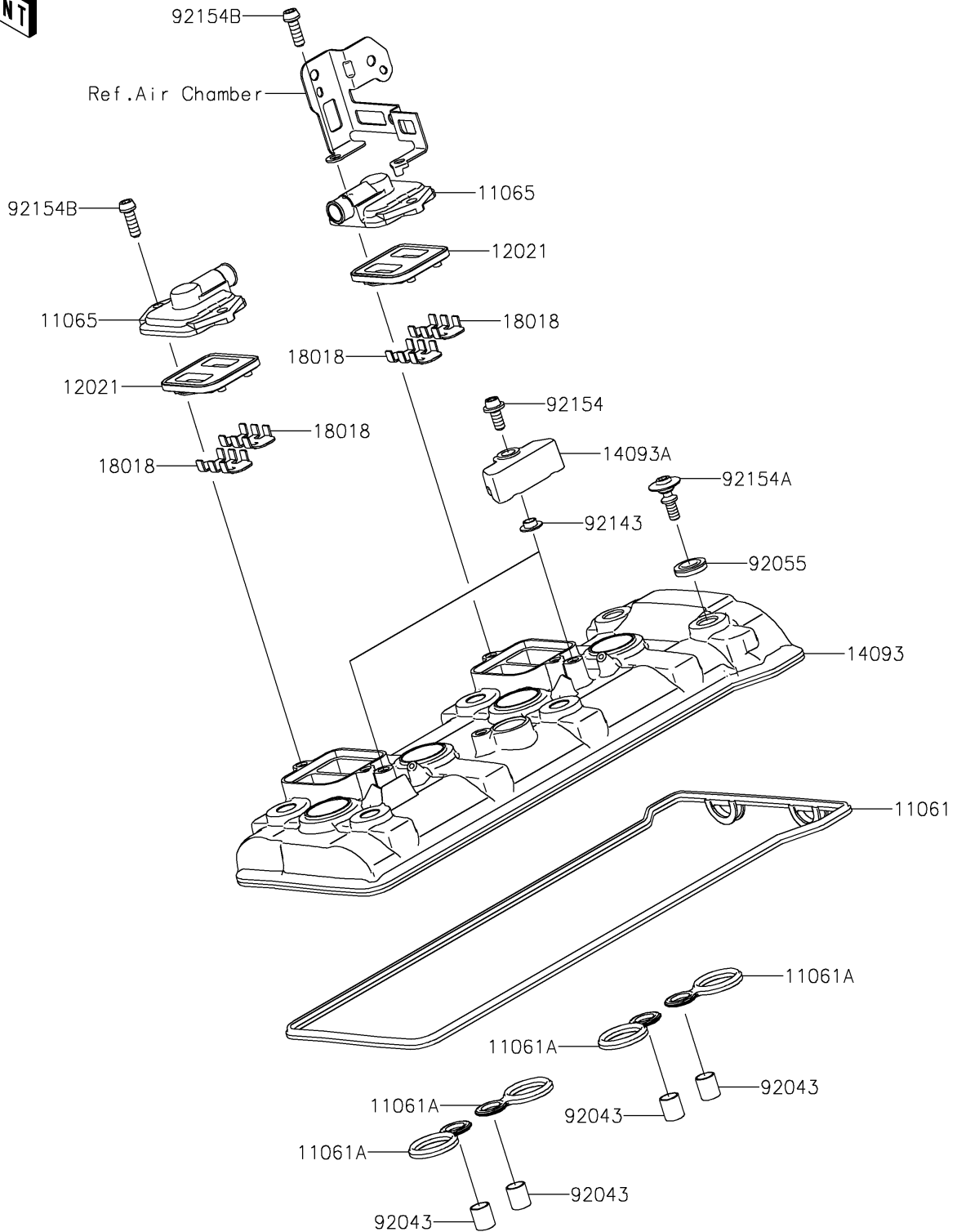


2020 NINJA H2™ CARBON PARTS DIAGRAM

Cylinder Head Cover

E1112



2020 NINJA H2™ CARBON PARTS LIST

Cylinder Head Cover

ITEM NAME	PART NUMBER	QUANTITY
GASKET,HEAD COVER (Ref # 11061)	11061-0979	1
GASKET,PLUG HOLE (Ref # 11061A)	11061-1185	4
CAP,ASV (Ref # 11065)	11065-0869	2
VALVE-ASSY-REED (Ref # 12021)	12021-0021	2
COVER,HEAD (Ref # 14093)	14093-0092	1
COVER (Ref # 14093A)	14093-0291	2
PLATE-HEAT GUARD (Ref # 18018)	18018-0591	4
PIN,10.1X12X14 (Ref # 92043)	92043-4009	4
RING-O (Ref # 92055)	92055-0820	6
COLLAR (Ref # 92143)	92143-1331	2
BOLT,SOCKET,6X14 (Ref # 92154)	92154-1460	2
BOLT (Ref # 92154A)	92154-1468	6
BOLT,SOCKET,6X18 (Ref # 92154B)	92154-1498	4